

TENSION PLATES

FOR LCM402/LCM412 SERIES LOAD CELLS

17-4 PH STAINLESS STEEL

LCM412-TP Series

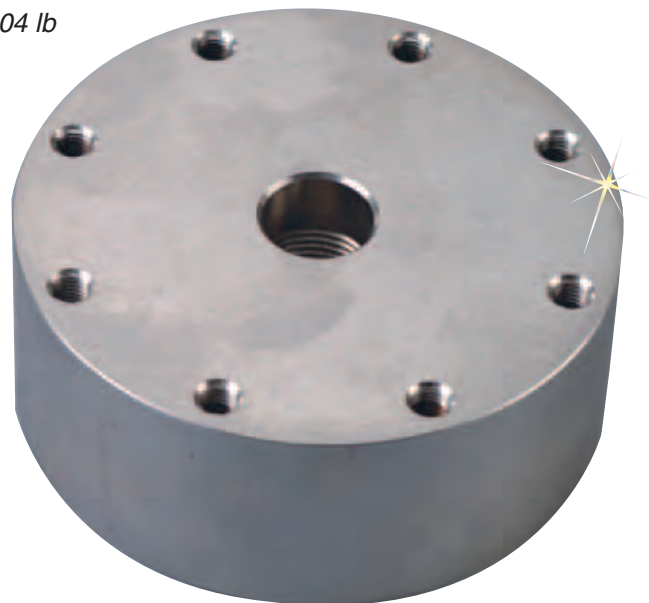
Tension Plates

For LCM402/LCM412 Load Cells

Ranges

25 kgf to 10,000 kgf

1 Newton = 0.2248 lb
 1 daNewton = 10 Newtons
 1 lb = 454 g
 1 t = 1000 kg = 2204 lb



LCM412-TP225, \$110, shown actual size.

Starts at
\$110

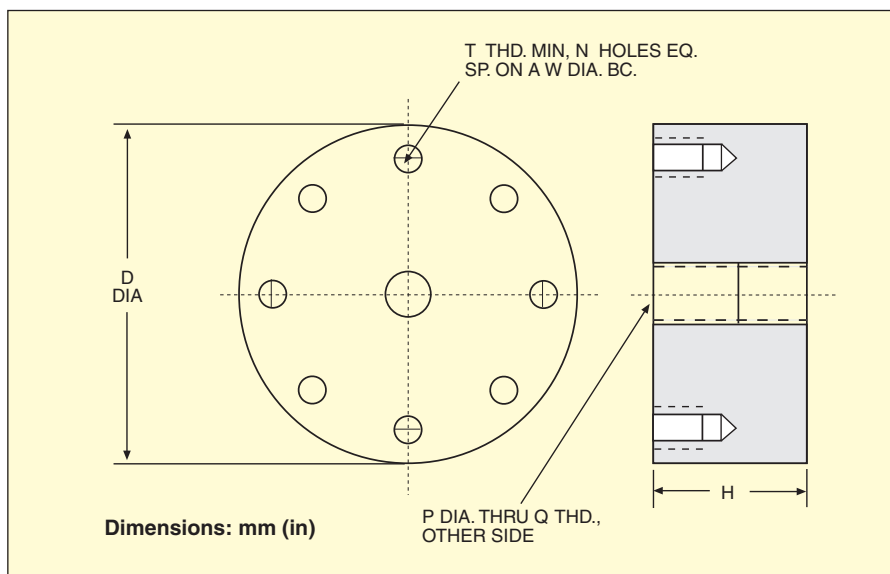


Mounting Hardware Included

LCM412 tension plates attach to the base of LCM402/LCM412 Series load cells and provide a second threaded center hole for tension applications.

The LCM412-TP288 tension plate attaches to the base of the LCM412-3K load cell (see diagram).

Recommended Reference Book:
 Measure for Measure,
OP-17, \$15
 See Section Y
 For Additional Books



MOST POPULAR MODELS HIGHLIGHTED!

CAPACITY		MODEL NO.	PRICE	Dimensions: mm (in)						
kgf	lb			D	H	P	Q	T	N	W
25 to 100	50 to 300	LCM412-TP225	\$110	76 (3.00)	38 (1.50)	8.4 (0.332)	M10 x 1.5	M6 x 1.0	8	57 (2.25)
250 to 1500	500 to 3K	LCM412-TP288	110	89 (3.50)	38 (1.50)	12 (0.453)	M12 x 1.75	M6 x 1.0	8	73 (2.88)
2500 to 5000	5K to 10K	LCM412-TP325	110	95 (3.75)	38 (1.50)	18 (0.688)	M20 x 1.5	M6 x 1.0	8	83 (3.26)
7500 to 10,000	15K to 25K	LCM412-TP350	250	102 (4.00)	51 (2.00)	24 (0.933)	M24 x 2.0	M10 x 1.5	8	89 (3.50)

Comes complete with mounting hardware.

Ordering Example: LCM412-TP350, fits LCM412 load cells from 7500 to 10,000 kgf, \$250.



UNITED STATES

www.omega.com
1-800-TC-OMEGA
Stamford, CT.

CANADA

www.omega.ca
Laval(Quebec)
1-800-TC-OMEGA

GERMANY

www.omega.de
Deckenpfronn, Germany
0800-8266342

UNITED KINGDOM

www.omega.co.uk
Manchester, England
0800-488-488

FRANCE

www.omega.fr
Guyancourt, France
088-466-342

CZECH REPUBLIC

www.omegaeng.cz
Karviná, Czech Republic
596-311-899

BENELUX

www.omega.nl
Amstelveen, NL
0800-099-33-44



More than 100,000 Products Available!

• Temperature

Calibrators, Connectors, General Test and Measurement Instruments, Glass Bulb Thermometers, Handheld Instruments for Temperature Measurement, Ice Point References, Indicating Labels, Crayons, Cements and Lacquers, Infrared Temperature Measurement Instruments, Recorders Relative Humidity Measurement Instruments, RTD Probes, Elements and Assemblies, Temperature & Process Meters, Timers and Counters, Temperature and Process Controllers and Power Switching Devices, Thermistor Elements, Probes and Assemblies, Thermocouples Thermowells and Head and Well Assemblies, Transmitters, Wire

• Flow and Level

Air Velocity Indicators, Doppler Flowmeters, Level Measurement, Magnetic Flowmeters, Mass Flowmeters, Pitot Tubes, Pumps, Rotameters, Turbine and Paddle Wheel Flowmeters, Ultrasonic Flowmeters, Valves, Variable Area Flowmeters, Vortex Shedding Flowmeters

• pH and Conductivity

Conductivity Instrumentation, Dissolved Oxygen Instrumentation, Environmental Instrumentation, pH Electrodes and Instruments, Water and Soil Analysis Instrumentation

• Data Acquisition

Auto-Dialers and Alarm Monitoring Systems, Communication Products and Converters, Data Acquisition and Analysis Software, Data Loggers Plug-in Cards, Signal Conditioners, USB, RS232, RS485 and Parallel Port Data Acquisition Systems, Wireless Transmitters and Receivers

• Pressure, Strain and Force

Displacement Transducers, Dynamic Measurement Force Sensors, Instrumentation for Pressure and Strain Measurements, Load Cells, Pressure Gauges, Pressure Reference Section, Pressure Switches, Pressure Transducers, Proximity Transducers, Regulators, Strain Gages, Torque Transducers, Valves

• Heaters

Band Heaters, Cartridge Heaters, Circulation Heaters, Comfort Heaters, Controllers, Meters and Switching Devices, Flexible Heaters, General Test and Measurement Instruments, Heater Hook-up Wire, Heating Cable Systems, Immersion Heaters, Process Air and Duct, Heaters, Radiant Heaters, Strip Heaters, Tubular Heaters