

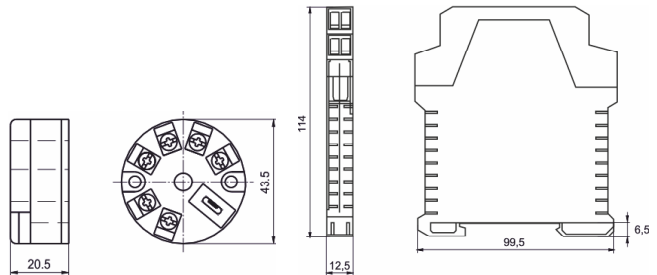
Temperature transmitter **TxBLOCK-USB, TxRail-USB**

Technical description

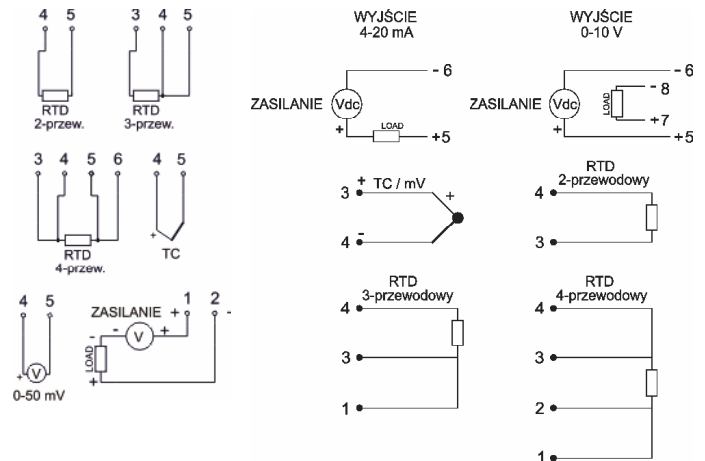
Characteristic		
– programmable temperature transmitter – mounting into connection head BA: TxBlock-USB – DIN rail mounting 35 mm: TxRail-USB – sensor error correction – PC configuration via USB micro cable with using free software TxConfig II		
Input		
– Pt100/Pt1000, 2-, 3-, 4-wire connection – J, K, T, N, E, R, S, B – voltage: 0÷50 mV – NTC: 10 kΩ ±1% B _{25/85} =3435		
Input type	Range	Min. span
NTC	(-30 ÷ 120) °C	40 °C
Pt100	(-200 ÷ 650) °C	40 °C
Pt1000	(-200 ÷ 650) °C	40 °C
J	(-100 ÷ 760) °C	100 °C
K	(-150 ÷ 1370) °C	100 °C
T	(-160 ÷ 400) °C	100 °C
N	(-270 ÷ 1300) °C	400 °C
E	(-90 ÷ 720) °C	100 °C
R	(-50 ÷ 1760) °C	400 °C
S	(-50 ÷ 1760) °C	400 °C
B	(500 ÷ 1820) °C	400 °C
voltage	(0 ÷ 50) mV	5 mV
Output		
(4 ÷ 20) mA or (20 ÷ 4) mA (0 ÷ 10) V for TxRail-USB		
Output resolution		
0,002 mA (12 bit)		
Accuracy of process		
0,1% of range for Pt100/Pt1000: (-150 ÷ 400) °C		
0,13% of range for Pt100/Pt1000: (-200 ÷ 650) °C		
0,1% of range for thermocouple		
0,3% of range for NTC		
temperature drift 0,003% of setting /°C		
Response time		
1,6 s		
Max. loop resistance		
$R_{L(max)} = (V_{DC} - 10) / 0,02[\Omega]$		
Cross-section of connection wires		
0,14 up to 1,5 mm ²		
Power supply		
(10 ÷ 35) V DC for output (4 ÷ 20) mA		
(12 ÷ 35) V DC for output (0 ÷ 10) mA		
Operating conditions		
– temperature: (-40 ÷ 85) °C		
– humidity: ≤90% RH non-condensing		



Dimensions



Wires



Ordering code

Temperature transmitter	Tx
Head mounted	Block-USB				
35 mm DIN rail mounted	Rail-USB				
Setting of transmitter temperature	(0 ÷ 1000) °C*				
Input type					S*
With adapter for 35mm rail mountig for TxBlock-USB					A

* or others acc. to requirements

Ordering example

TxBLOCK-USB-Pt100-(0 ÷ 100) °C

On request, a Quality Certificate confirming the conformity of workmanship or a Calibration Certificate of the Accredited Laboratory for Temperature Measurements at Limatherm Sensor Sp. z o.o.