

## Temperature sensors with heat-resistant cover TTSCU-22, TTRCU-22, TTKCU-22

### Dane techniczne

Measuring range / sensing element		
(0 ÷ 1200) °C	<b>S, R</b>	class 2
(-40 ÷ 1200) °C	<b>K</b>	class 2
Sheath		
– material of the external metal cover:		
steel 1.4841, max. temperature 1150 °C		
steel 1.4762, max. temperature 1200 °C		
steel 15Cr25T, max. temperature 1000 °C		
– material: internal ceramic cover: mullite 610, ø15 mm		
– length L [mm]: 300÷2000		
Connection head		
– AA, IP53, (-40 ÷ 100) °C		
Options		
– with (4 ÷ 20) mA transducer in the DAAW head cover		
– double measuring circuit		
– thermocouple S, R: class 1 (wire ø0,35 or ø0,5)		
K: class 1 (wire ø2)		
Additional accessories		
– temperature transmitters – p. 225÷241		
– compensation cables – p. 197		
– mounting brackets: UZ-11, UZ-21 – p. 216		

#### Response time T05/T09

Sensor type	ø9	ø11
<b>Pt</b>	≤33/≤95	≤40/≤120
<b>J, K</b> insulated junction	≤22/≤62	≤27/≤90
<b>J, K</b> grounded junction	≤3/≤8	≤6/≤15

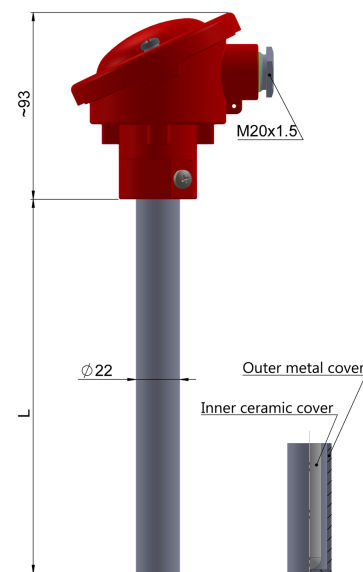
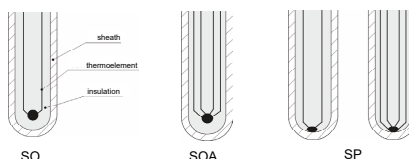
#### Resistors tolerance acc. to PN-EN 60751

Class	Wire wound resistor	
	Range [°C]	Tolerance [°C]
<b>AA</b>	(-50÷250)	±(0,1+0,0017· t )
<b>A</b>	(-100÷450)	±(0,15+0,002· t )
<b>B</b>	(-196÷600)	±(0,3+0,005· t )

#### Tolerance for thermocouples class acc. to PN-EN 60584

Thermocouple	Class 1		Class 2	
	Range [°C]	Tolerance [°C]	Range [°C]	Tolerance [°C]
<b>J</b> Fe-CuNi	(-40÷375) (375÷750)	±1,5 ±0,004  t	(-40÷333) (333÷750)	±2,5 ±0,0075  t
<b>K</b> NiCr-NiAl	(-40÷375) (375÷1000)	±1,5 ±0,004  t	from (-40÷333) (333÷1200)	±2,5 ±0,0075  t

#### Types of measuring hot junction



### Ordering code

Temperature sensor	...	TT	...	CU-22	-	...	-	...	-	...	-	...	-	...
Single														
Double														
With transmitter														
Thermocouple NiCr-NiAl														
Thermocouple PtRh10-Pt														
Thermocouple PtRh13-Pt														
Sheath length L [mm]														1000*
Material of the sheath														1.4841, 1.4762, 15Cr25T
Thermocouple class														1, 2
Diameter of platinum wire (for S, R) [mm]														0,35; 0,5
Type of transmitter														Tx*
Setting of transmitter temperature														(0 ÷ 1200) °C*

\* or others acc. to requirements

### Ordering example

APTTRCU-22-500-1.4762-1-0,5-Tx-(0 ÷ 1200) °C