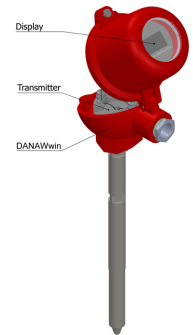
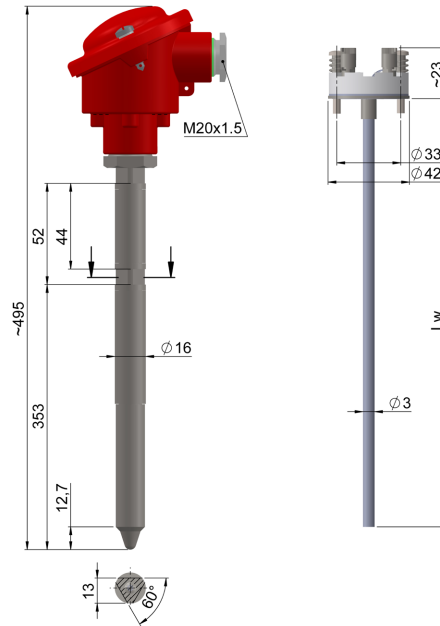


## Temperature sensors with replaceable measuring inserts TTJU-45, TTKU-45

### Technical description

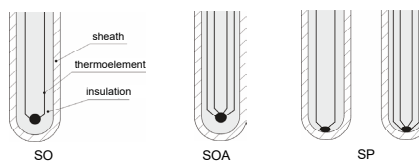
<b>Measuring range / sensing element</b>		
(-40 ÷ 300) °C	<b>J, K</b>	class 2
<b>Measuring insert – p. 44</b>		
– mineral insulated W2		
– diameter [mm]: ø3		
– insert length: L <sub>w</sub> = 445 mm		
<b>Sheath</b>		
– material: steel 1.4541		
– due to a special thermowell construction this sensor can be mounted in door of a rubber mixer		
– thermowell tip is covered with tungsten carbide to increase abrasion resistance		
<b>Connection head</b>		
– BA, IP55, (-40 ÷ 100) °C		
<b>Options</b>		
– local display built into the DANAWwin head connection – p. 220		
– thermocouple: N, T		
– measuring junction types – p. 13		
– connection heads: p. 217+218 (eg. stainless BEG; aluminium NA, IP65; NA with snap lock)		
– thermocouple tolerance: class 1		
<b>Additional accessories</b>		
– temperature transmitters – p. 225+241		
– compensation cables – p. 197		



Tolerance for thermocouples class acc to. PN-EN 60584

Thermocouple	Class 1		Class 2	
	Range [°C]	Tolerance [°C]	Range [°C]	Tolerance [°C]
<b>J</b> Fe-CuNi	(-40+375) (375+750)	±1,5 ±0,004  t	(-40+333) (333+750)	±2,5 ±0,0075  t
<b>K</b> NiCr-NiAl	(-40+375) (375+1000)	±1,5 ±0,004  t	from (-40+333) (333+1200)	±2,5 ±0,0075  t

Types of measuring hot junction



### Ordering code

Temperature sensor	...	T	...	U-45	-	-	-	-	...
Single		no sign							
Double		2							
Single with transmitter		AP							
Double with transmitter (only one circuit)		AP2							
Double with two transmitters		2AP2							
With local display (single)		APW							
Thermocouple Fe-CuNi			TJ						
Thermocouple NiCr-NiAl			TK						
Junction isolated from the sheath							SO		
Double junction isolated from the sheath		for					SOA		
Grounded junction		TC					SP		
Thermocouple class									1, 2
Type of transmitter									Flex Top 2203*
Setting of transmitter temperature									(0 ÷ 200) °C*

\* or others acc. to requirements

### Ordering example

TTJU-45-SO-1-Flex Top 2203-(0 ÷ 200) °C