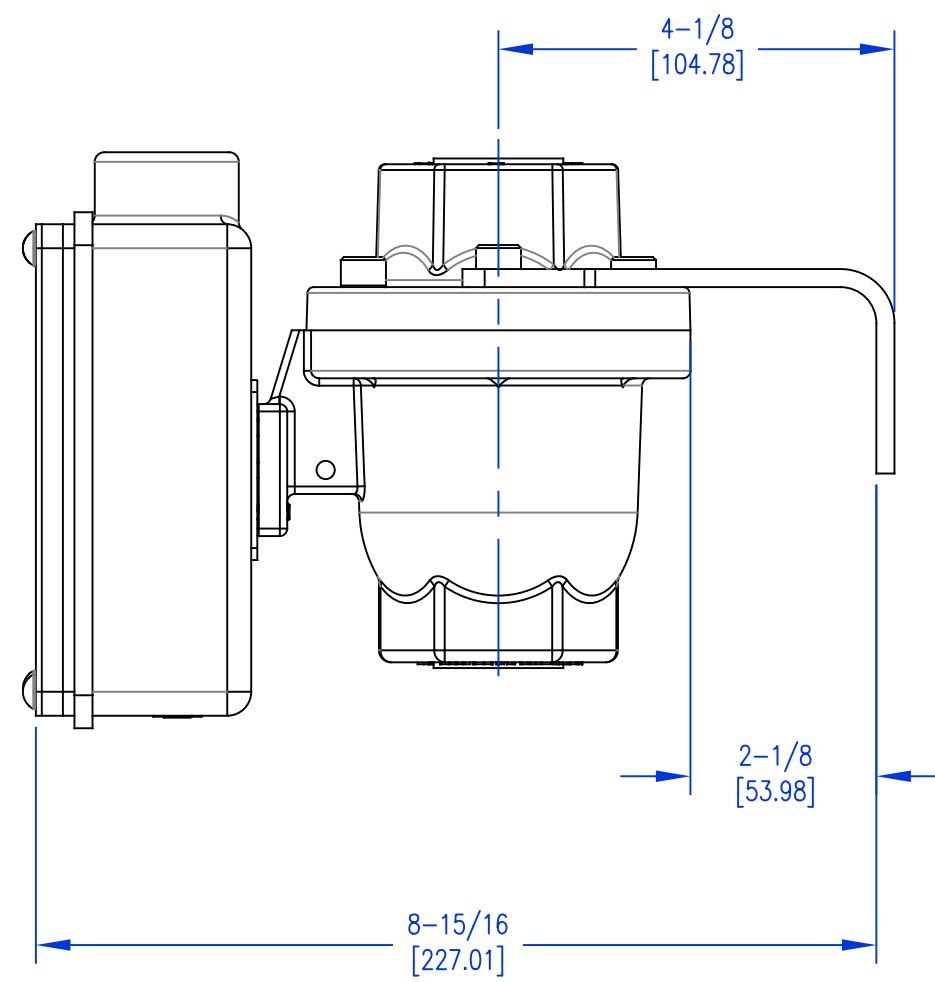
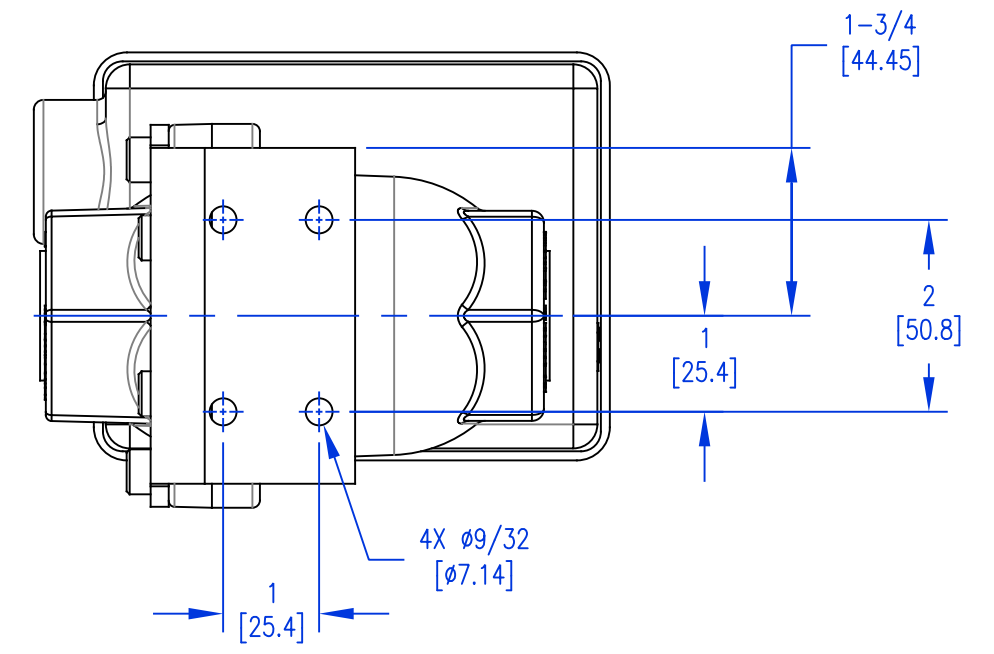
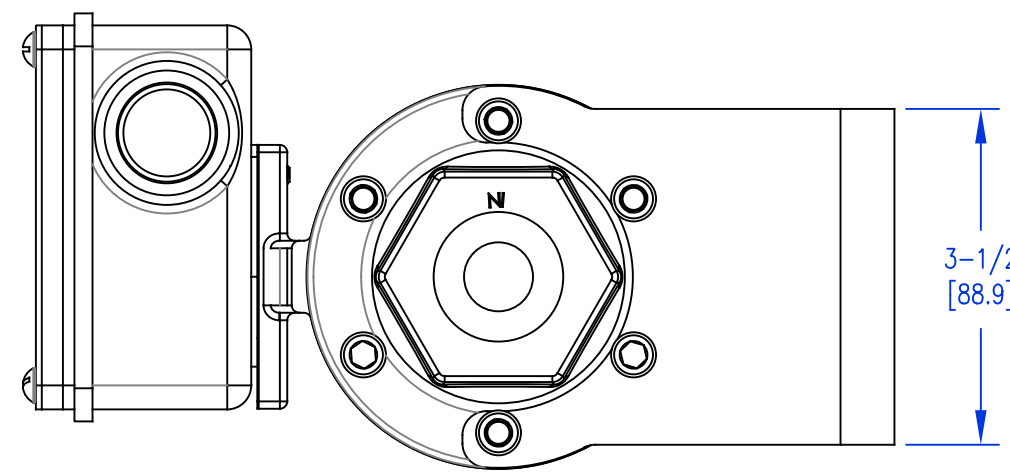
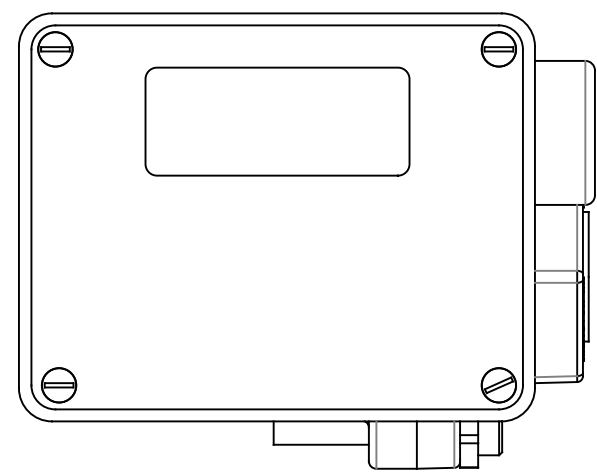


DATE 09-13-22		NAME BULLETIN ARTWORK PI		Dwyer. DWYER INSTRUMENTS, LLC. MICHIGAN CITY, INDIANA 46360 U.S.A.	
DWN BY KAS		SCALE 1:2		SHEET 1 OF 5	
CHKD		TOLERANCES DECIMAL ± .005		THIRD ANGLE	
APPD		WEIGHT/VOLUME		PART NO. U700003-00	
INITIAL RELEASE ND-008569		BY/DATE		FINISH	
NO. CHANGES		BY/DATE		FINISH	

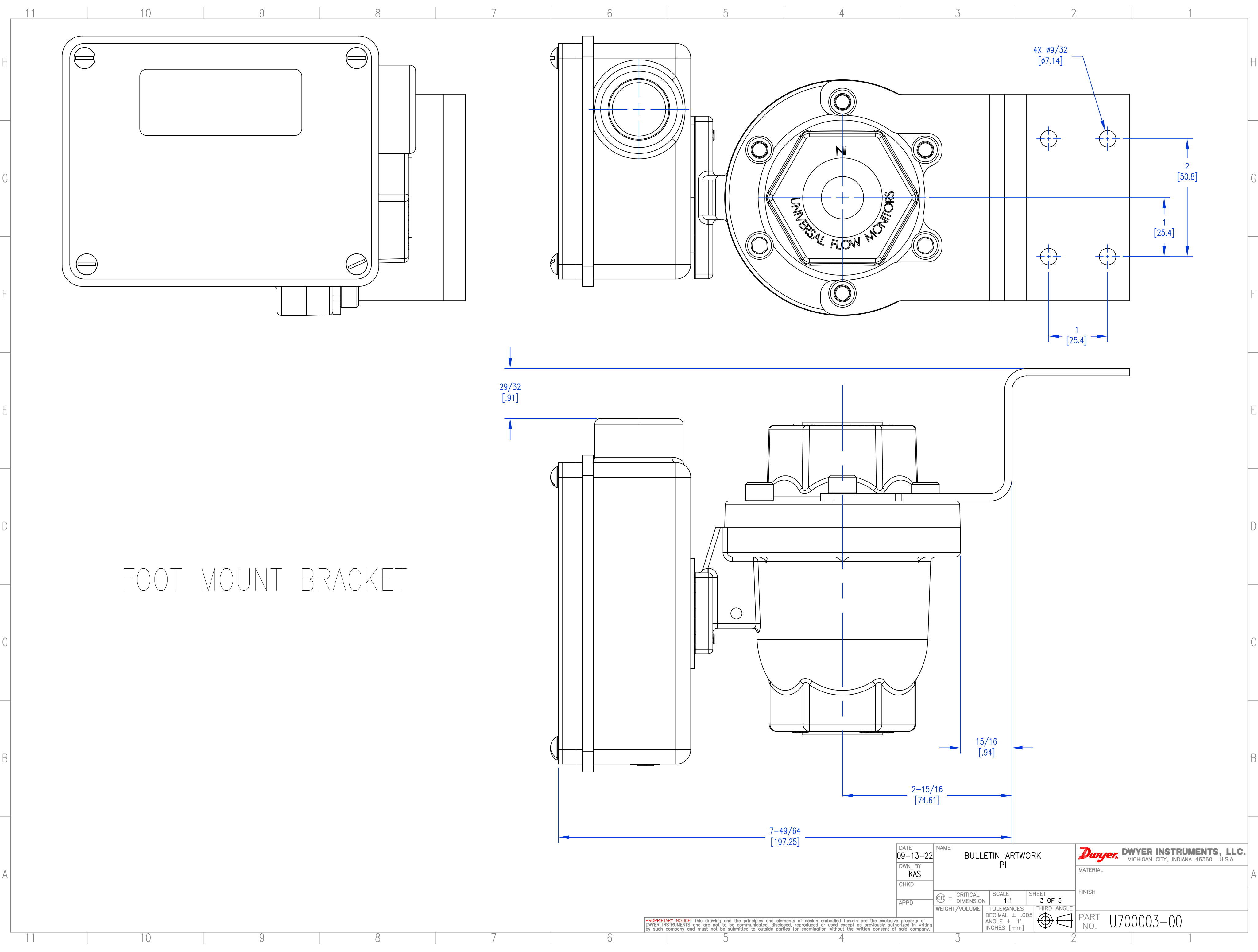
PROPRIETARY NOTICE: This drawing and the principles and elements of design embodied therein are the exclusive property of DWYER INSTRUMENTS and are not to be communicated, disclosed, reproduced or used except as previously authorized in writing by such company and must not be submitted to outside parties for examination without the written consent of said company.

# WALL MOUNT BRACKET



PROPRIETARY NOTICE: This drawing and the principles and elements of design embodied therein are the exclusive property of DWYER INSTRUMENTS and are not to be communicated, disclosed, reproduced or used except as previously authorized in writing by such company and must not be submitted to outside parties for examination without the written consent of said company.

DATE 09-13-22	NAME BULLETIN ARTWORK PI	<b>DWYER INSTRUMENTS, LLC.</b> MICHIGAN CITY, INDIANA 46360 U.S.A.	
DWN BY KAS		MATERIAL	
CHKD		FINISH	
APPD	CD = CRITICAL DIMENSION SCALE 1:2 SHEET 2 OF 5	TOLERANCES DECIMAL ± .005 ANGLE ± 1° INCHES [mm]	THIRD ANGLE 
		WEIGHT/VOLUME TOLERANCES DECIMAL ± .005 ANGLE ± 1° INCHES [mm]	PART NO. U700003-00

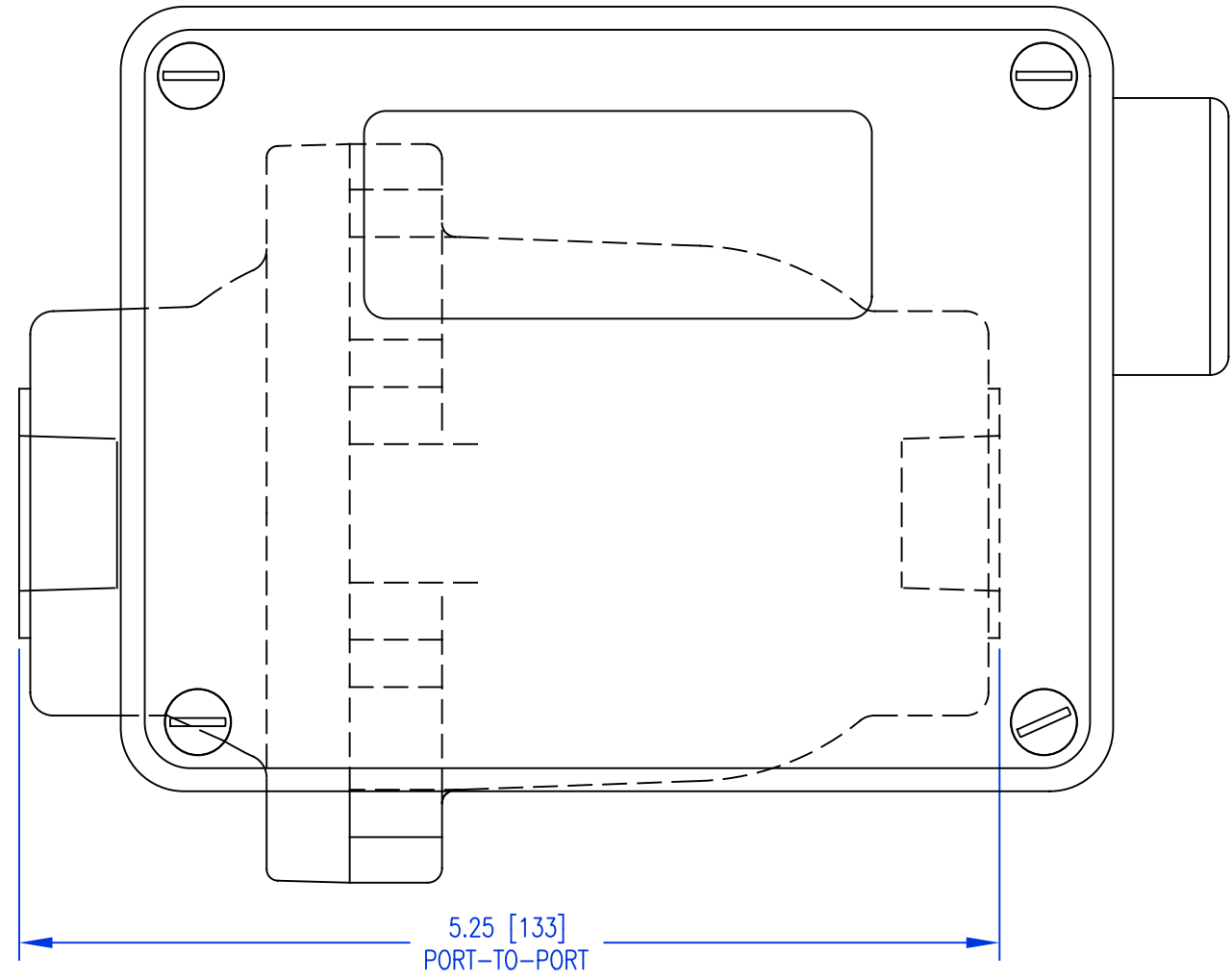


FOOT MOUNT BRACKET

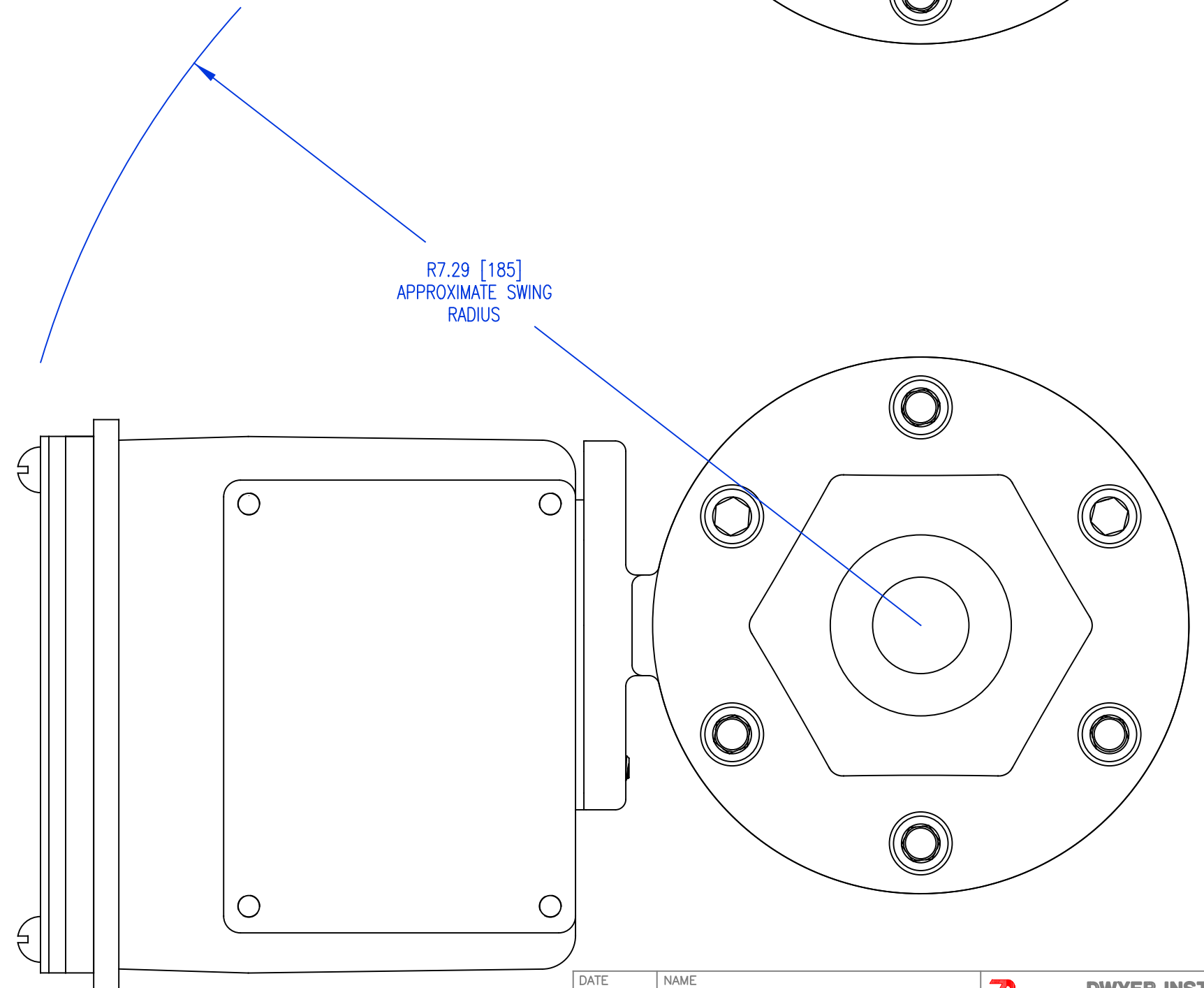
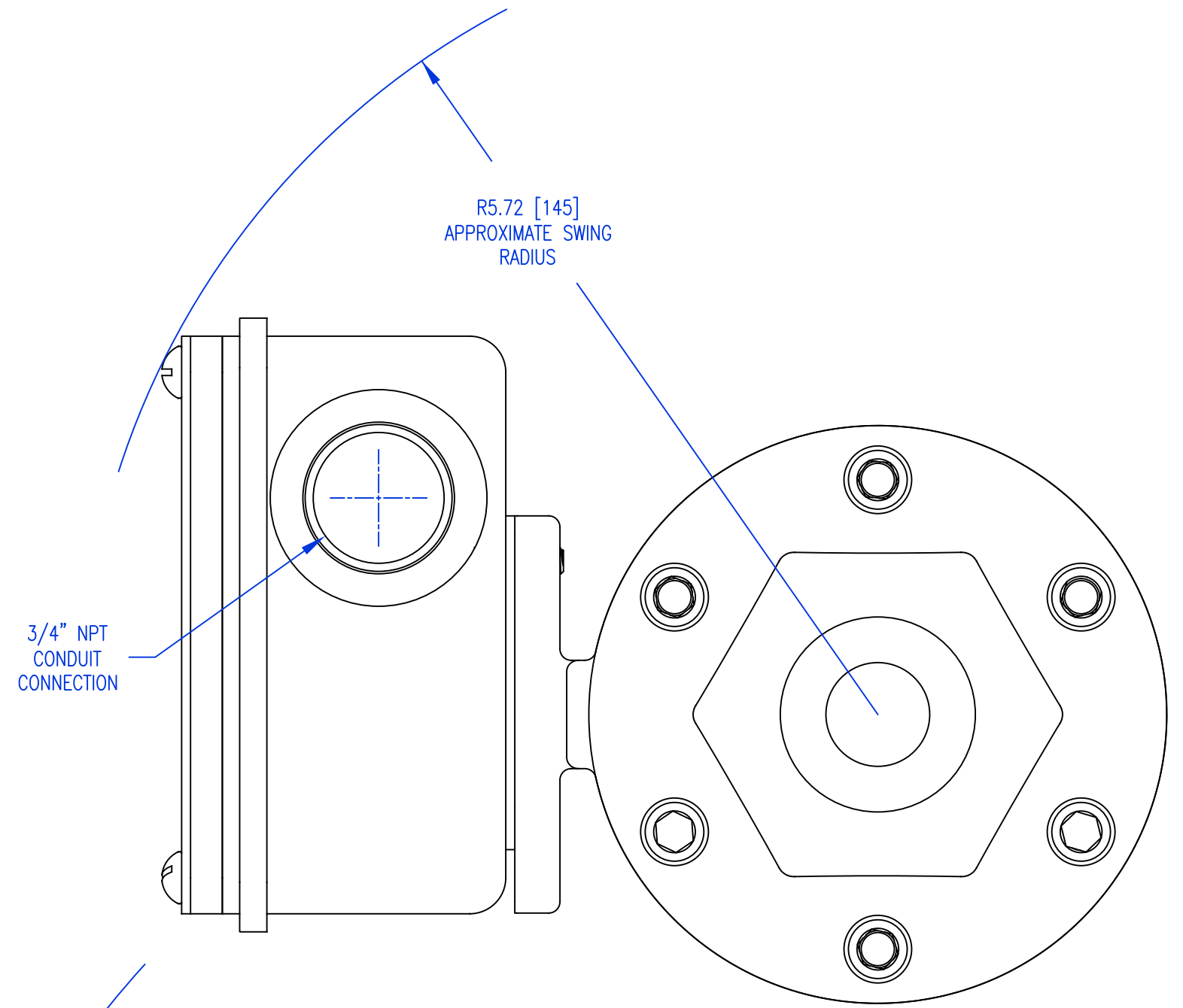
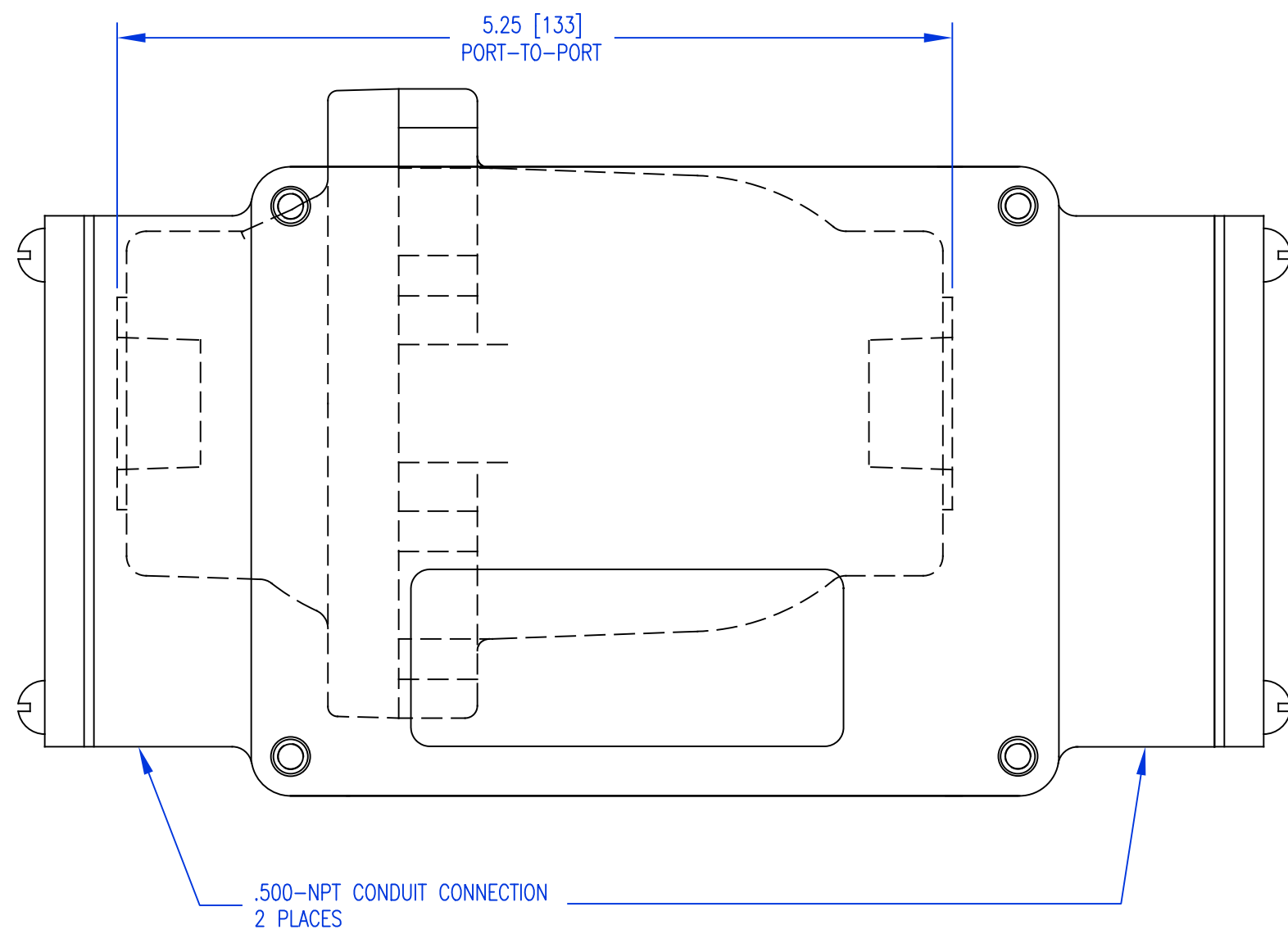
DATE 09-13-22	NAME BULLETIN ARTWORK PI	<b>Dwyer. DWYER INSTRUMENTS, LLC.</b> MICHIGAN CITY, INDIANA 46360 U.S.A.	
DWN BY KAS		MATERIAL	
CHKD		FINISH	
APPD	CD = CRITICAL DIMENSION WEIGHT/VOLUME	SCALE 1:1	SHEET 3 OF 5
TOLERANCES DECIMAL ± .005 ANGLE ± 1° INCHES [mm]		THIRD ANGLE 	PART NO. U700003-00

PROPRIETARY NOTICE: This drawing and the principles and elements of design embodied therein are the exclusive property of DWYER INSTRUMENTS and are not to be communicated, disclosed, reproduced or used except as previously authorized in writing by such company and must not be submitted to outside parties for examination without the written consent of said company.

”A”, ”L” AND ”Z” BOXES



”T” BOX

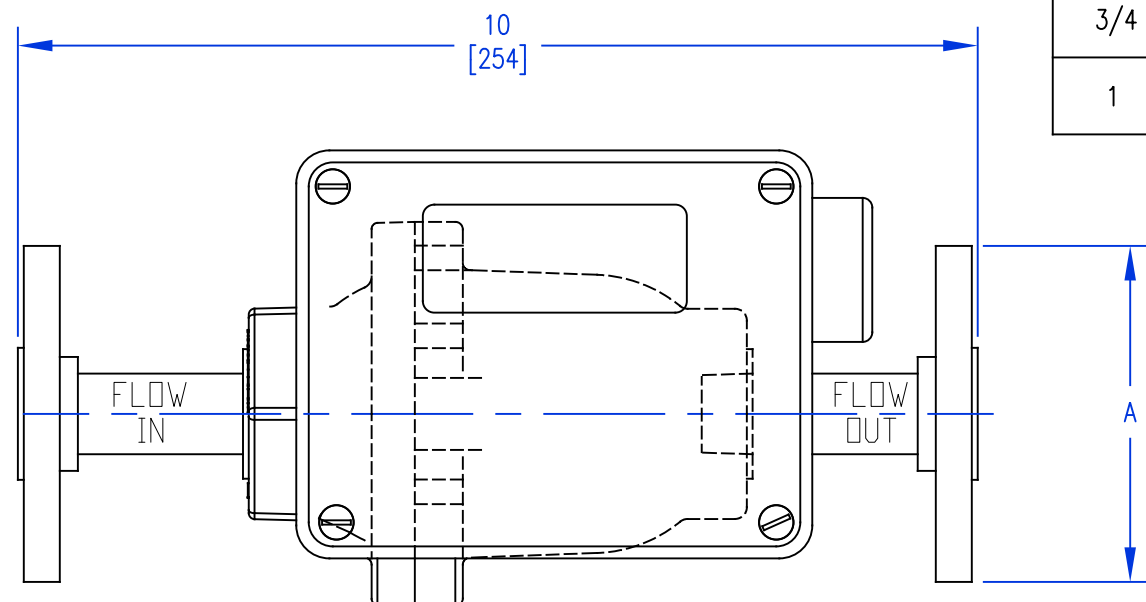


DATE 09-13-22	NAME BULLETIN ARTWORK PI	Dwyer. DWYER INSTRUMENTS, LLC. MICHIGAN CITY, INDIANA 46360 U.S.A.	
DWN BY KAS		MATERIAL	
CHKD		FINISH	
APPD	CD = CRITICAL DIMENSION	SCALE 1:1	SHEET 4 OF 5
	WEIGHT/VOLUME	TOLERANCES DECIMAL ± .005 ANGLE ± 1° INCHES [mm]	THIRD ANGLE
PROPRIETARY NOTICE: This drawing and the principles and elements of design embodied therein are the exclusive property of DWYER INSTRUMENTS and are not to be communicated, disclosed, reproduced or used except as previously authorized in writing by such company and must not be submitted to outside parties for examination without the written consent of said company.		PART NO. U700003-00	

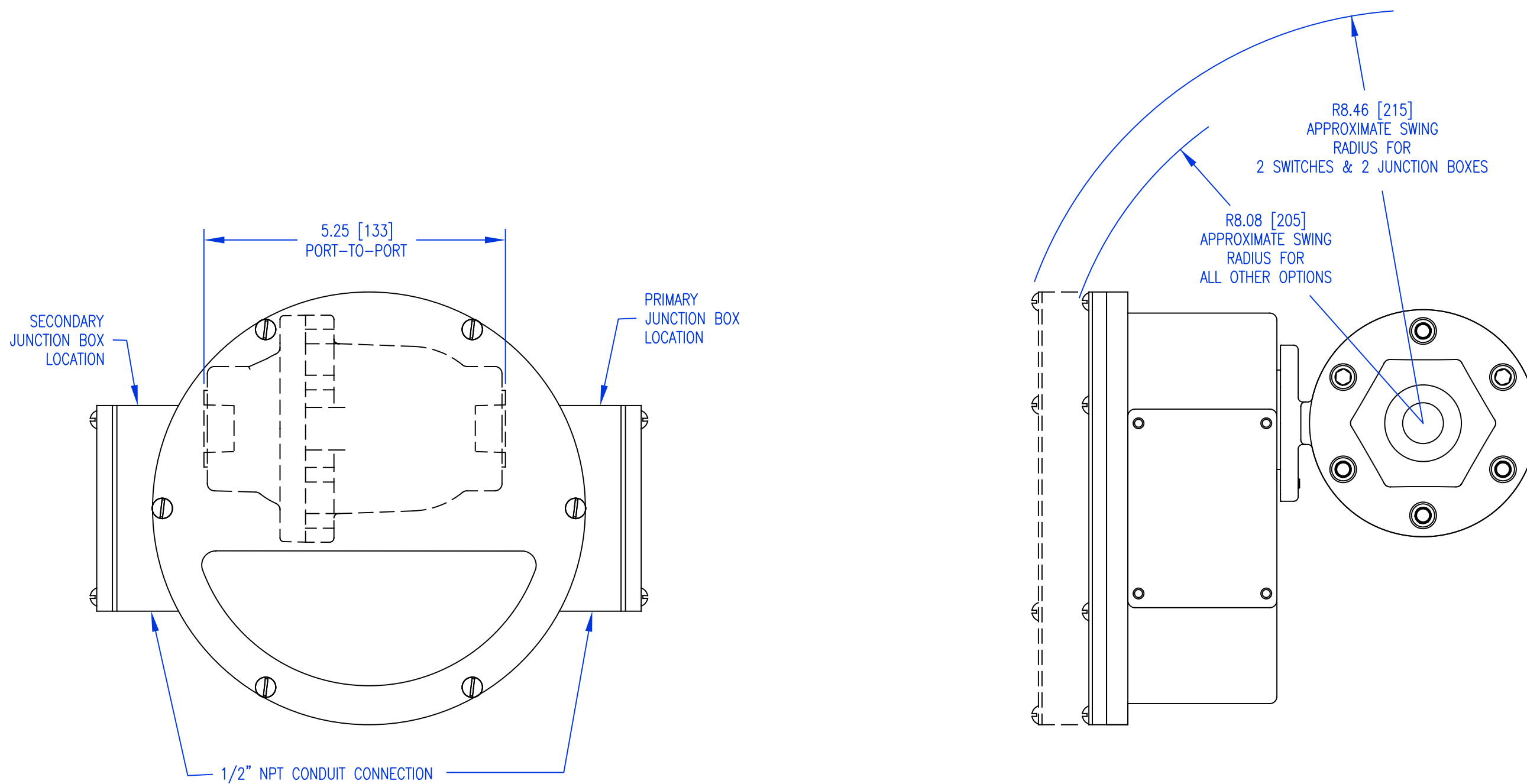
# ”A” BOX W/FLANGES

DIMENSIONS WITH 150#  
R.F. FLANGES

PORT SIZE (INCHES)	ØA
1/2	3-1/2 [88.90]
3/4	3-7/8 [98.43]
1	4-1/4 [107.95]



# ”R” BOX



ROUND ENCLOSURE JUNCTION BOX OPTIONS	
NO JUNCTION BOX	POINTER ONLY, NO ELECTRICAL COMPONENTS
1 JUNCTION BOX	ONE TYPE OF ELECTRICAL ITEM ONLY -
PRIMARY LOCATION	1 OR 2 SWITCHES OR TRANSMITTER, BUT NOT BOTH
2 JUNCTION BOXES	TRANSMITTER AND 1 OR 2 SWITCHES

DATE 09-13-22	NAME BULLETIN ARTWORK PI	<b>Dwyer. DWYER INSTRUMENTS, LLC.</b> MICHIGAN CITY, INDIANA 46360 U.S.A.	
DWN BY KAS	SCALE 1:2	SHEET 5 OF 5	FINISH
CHKD	CD = CRITICAL DIMENSION	TOLERANCES DECIMAL ± .005	THIRD ANGLE
APPD	WEIGHT/VOLUME	ANGLE ± 1°	PART NO. U700003-00
		INCHES [mm]	

PROPRIETARY NOTICE: This drawing and the principles and elements of design embodied therein are the exclusive property of DWYER INSTRUMENTS and are not to be communicated, disclosed, reproduced or used except as previously authorized in writing by such company and must not be submitted to outside parties for examination without the written consent of said company.