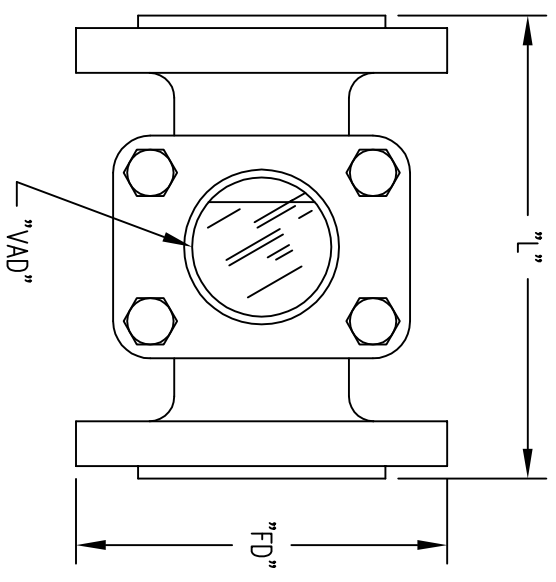


MODEL	BODY SIZE	LENGTH	FLANGE DIAMETER	VIEWING AREA DIAMETER
300F SERIES	1-1/2	6-3/8 [162]	5 [127]	2-5/16 [58]
	2	6-1/2 [165]	6 [152]	2-5/16 [58]
	3	8-7/8 [225]	7-1/2 [191]	3 [76]
	4	10-1/4 [260]	9 [229]	4 [102]
	6	12-1/2 [318]	11 [279]	6 [152]

DIMENSIONS ARE IN INCHES [MILLIMETERS]



STANDARD TOLERANCES UNLESS NOTED:
 ALL FRACTIONAL DIMENSIONS ± 1/64
 ALL DECIMAL DIMENSIONS ± .005
 ALL ANGLES ± 1°

SCALE 1:4

NO.	CHANGES	BY/DATE	APPD	NAME	350F/360F SERIES SIGHT FLOW INDICATOR	ACADR12	FR. NO.	Dwyer Instruments, Inc. Michigan City, Indiana 46360 U.S.A.
		DATE	DWN BY					

NOTICE: This drawing and the principles and elements of design embodied therein are the exclusive property of DWYER INSTRUMENTS, INC. and are not to be communicated, disclosed, reproduced or used except as previously authorized in writing by such corporation and must not be submitted to outside parties for examination without the consent of said corporation.