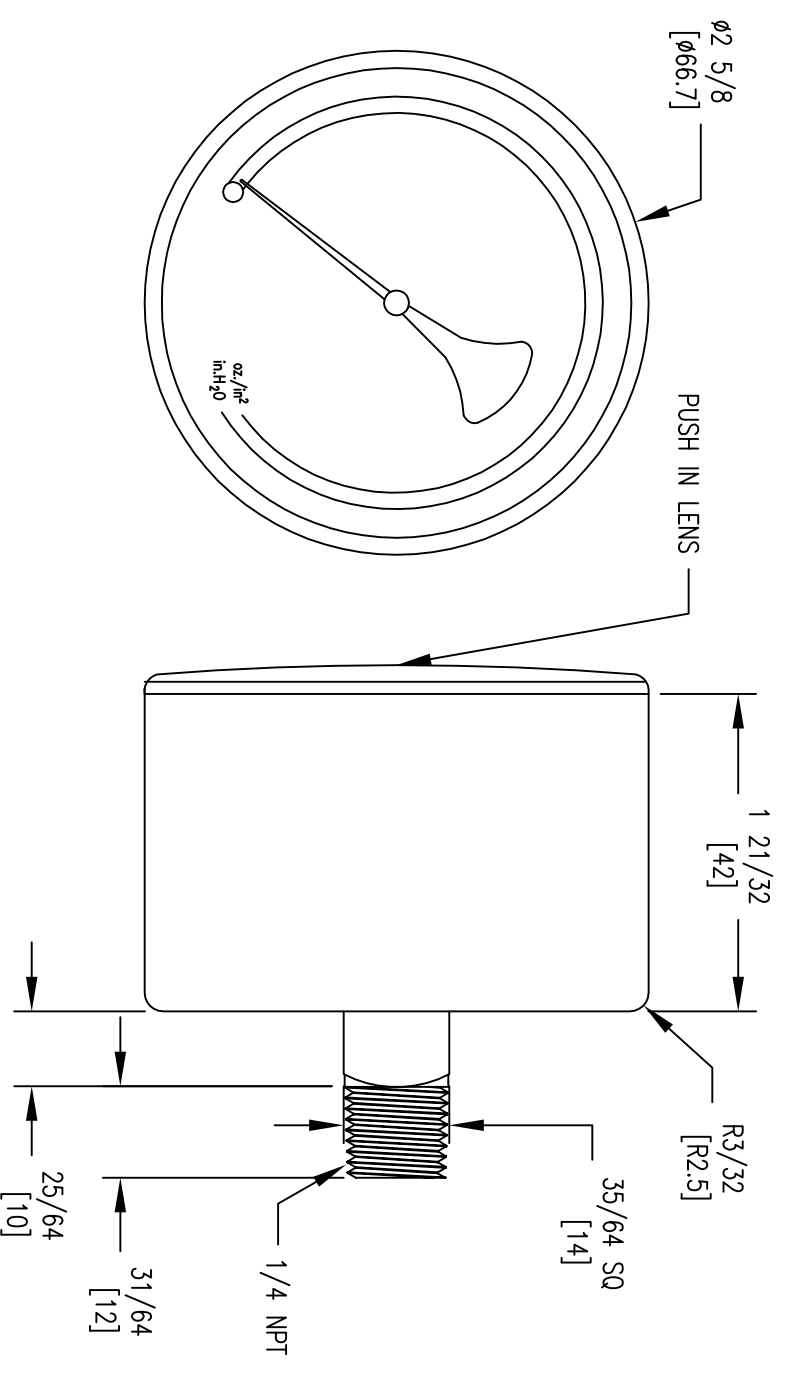


2-1/2" BOTTOM CONNECTION



2-1/2" BACK CONNECTION

SCALE 1:1

© = CRITICAL DIMENSION  
 STANDARD TOLERANCES UNLESS NOTED:  
 ALL DECIMAL DIMENSIONS ± .005  
 ALL ANGLES ± 1°

NO.		DATE		NAME		MATERIAL
		DWN BY		LPG3 SERIES LOW PRESSURE GAGES		
		CHKD		APPD		FINISH
CHANGES		BY/DATE		ACAD2002		FR. NO.
				3		
<p>NOTICE: This drawing and the principles and elements of design embodied therein are the exclusive property of DWYER INSTRUMENTS, INC. and are not to be communicated, disclosed, reproduced or used except as previously authorized in writing by such corporation and must not be submitted to outside parties for examination without the written consent of said corporation.</p>						
<p><b>DWYER INSTRUMENTS, INC.</b>          MICHIGAN CITY, INDIANA 46360 U.S.A.</p>						