



SERIES PMI | PARTICULATE MATTER TRANSMITTER



Wall mount



Wall mount
with LCD



Duct mount



Duct mount
with LCD

BENEFITS/FEATURES

- Maintains healthy air supply with long term stability and accuracy
- Particulate matter application independent as duct and wall mount units are available
- Low maintenance with 10 years of service life in auto mode
- Minimal downtime with overvoltage protection
- Easy setup with optional integral display and buttons
- Saves time using removable terminal block on duct mount model
- Single unit controller with alarm, control modes, and optional relay

APPLICATIONS

- Educational institutions
- Healthcare facilities
- Corporate offices
- Hotels/restaurants
- Air purifiers

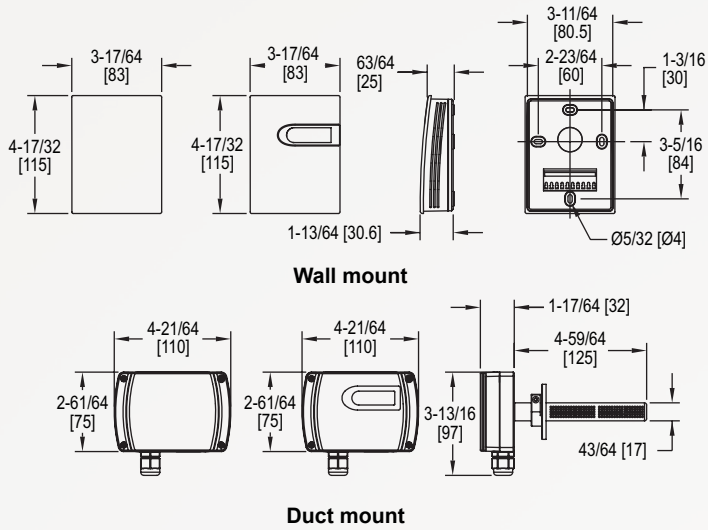
DESCRIPTION

The **Series PMI Particulate Matter Transmitter** is designed to measure indoor air quality by detecting particulate matter in an office environment or HVAC duct. Using laser scattering technology, the Series PMI can measure particles as small as 0.3 μm , making it an essential component of any indoor air quality monitoring system. The optional relay combined with the settable alarm and control parameters allow the Series PMI to be a stand-alone controller.

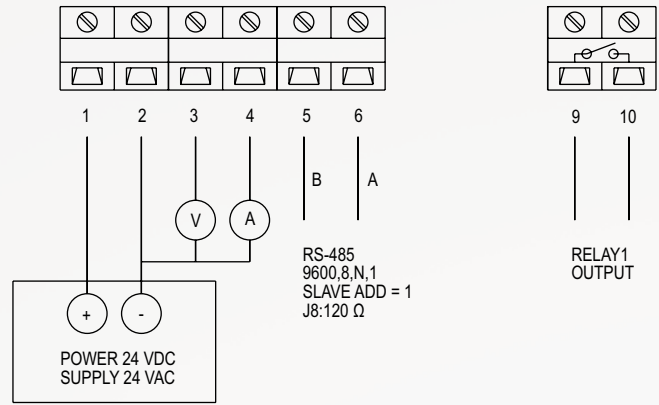
SPECIFICATIONS

Sensor	Laser scattering.
Range	PMI-2.5: 0-500 $\mu\text{g}/\text{m}^3$, particle size 0.3-2.5 μm ; PMI-10: 0-600 $\mu\text{g}/\text{m}^3$, particle size 0.3-10 μm .
Accuracy	$\pm 10 \mu\text{g}/\text{m}^3$ @ 0-100 $\mu\text{g}/\text{m}^3$; $\pm 10\%$ reading @ 100-600 $\mu\text{g}/\text{m}^3$ @ 25°C, 50% RH.
Resolution	1 $\mu\text{g}/\text{m}^3$.
Response Time	<10 s, continuous service mode.
Temperature Limits	Operating: 32 to 122°F (0 to 50°C); Storage: -22 to 158°F (-30 to 70°C).
Humidity Limits	0-95% RH (non-condensing).
Power Requirements	16-28 VAC/6-35 VDC.
Load Resistance	Current output: $\leq 500 \Omega$; Voltage output: $\geq 2 \text{k}\Omega$.
Output	Current: 4-20 mA; Voltage: 0-10 VDC; Relay: SPST 3A, 30 VDC/250 VAC; RS-485/Modbus® (RTU).
Service Life	MTBF more than 3 years in continuous service mode, service life up to 8-10 years in auto (intermittent) service mode.
Display	Optional 4-digit LCD.
Housing Materials	Wall mount: Polycarbonate (UL 94 V-0); Duct mount: ABS and polycarbonate (UL 94 V-0).
Enclosure Rating	Wall mount: IP30; Duct mount: IP65 (housing), IP30 (probe).
Weight	Wall mount: 7.05 oz (200 g); Duct mount: 9.5 oz (270 g).
Compliance	CE, UKCA.

DIMENSIONS

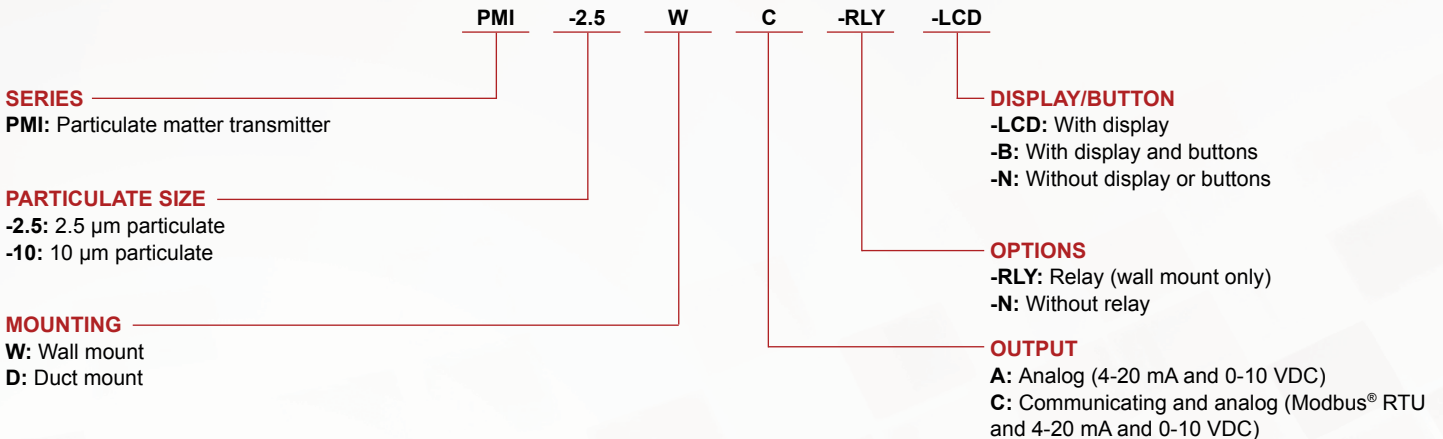


WIRING DIAGRAM



HOW TO ORDER

Use the **bold** characters from the chart below to construct a product code.



Modbus® is a registered trademark of Schneider Automation, Inc.

ORDER ONLINE TODAY!

dwyer-inst.com/Product/SeriesPMI



DWYER INSTRUMENTS, LLC

©Copyright 2022 Dwyer Instruments, LLC
Printed in U.S.A. 1/22

DS-PMI Rev. 1

Important Notice: Dwyer Instruments, LLC reserves the right to make changes to or discontinue any product or service identified in this publication without notice. Dwyer advises its customers to obtain the latest version of the relevant information to verify, before placing any orders, that the information being relied upon is current.