



SERIES SSCS | SURE-SET CURRENT SWITCH



BENEFITS/FEATURES

- Models for 230 VAC or 480 VAC applications
- Low and high motor HP ranges available
- 9 pre-set HP set points for faster installation

APPLICATIONS

- BAS
- HVAC
- Industrial motors

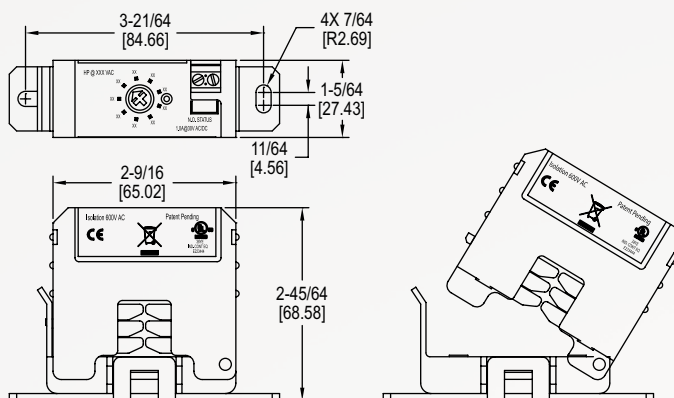
DESCRIPTION

The **Series SSCS Sure-Set Current Switch** provides a unique approach to calibration and installing current sensors in a low cost, fast, and accurate design. Selecting the set point has never been easier, with each model having 9 pre-configured adjustable HP set points. This feature eliminates the need to work within a live enclosure, reducing the risk of arc flash on installation.

SPECIFICATIONS

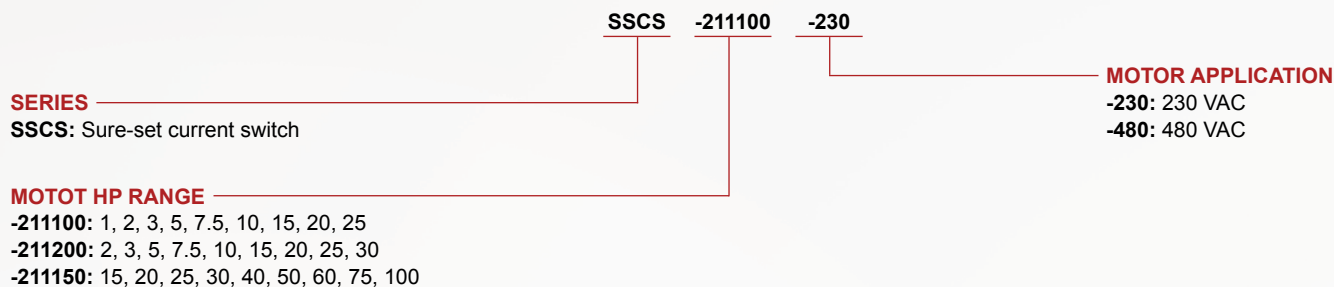
Output	Isolated, NO.
Power Requirements	None, self-powered.
Temperature Limits	5 to 140°F (-15 to 60°C).
Humidity Limits	0 to 95%, non-condensing.
Isolation Voltage	600 VAC RMS.
Frequency	50/60 Hz.
Enclosure Rating	UL 94 V-0 flammability rated, ABS plastic housing.
Compliance	CE, cULus.

DIMENSIONS



HOW TO ORDER

Use the **bold** characters from the chart below to construct a product code.



ORDER ONLINE TODAY!

dwyer-inst.com



DWYER INSTRUMENTS, LLC

©Copyright 2023 Dwyer Instruments, LLC
Printed in U.S.A. 8/23

DS-SSCS Rev. 1

Important Notice: Dwyer Instruments, LLC reserves the right to make changes to or discontinue any product or service identified in this publication without notice. Dwyer advises its customers to obtain the latest version of the relevant information to verify, before placing any orders, that the information being relied upon is current.