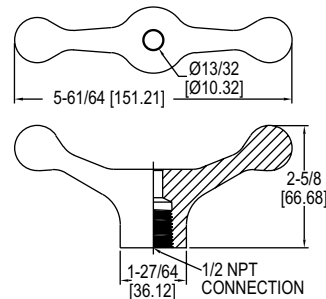
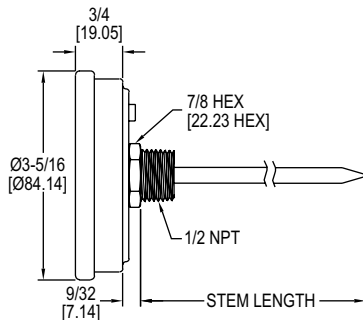


## SERIES BTLRN

## LONG REACH BIMETAL THERMOMETER

Extra-long Stems Reach Remote Areas, Gripping Handle Available



The **Series BTLRN Long Reach Bimetal Thermometer** reaches areas that other thermometers can't. A gripping handle is available as an accessory to comfortably hold the thermometer during temporary installations.

## BENEFITS/FEATURES

- Stem lengths from 12" to 72"

## APPLICATIONS

- Large container monitoring
- Duct temperature measurement

## MODEL CHART

| Model       | Stem Length | Range*     |
|-------------|-------------|------------|
| BTLRN312101 | 12"         | 0 to 200°F |
| BTLRN318101 | 18"         | 0 to 200°F |
| BTLRN324101 | 24"         | 0 to 200°F |
| BTLRN336101 | 36"         | 0 to 200°F |
| BTLRN348101 | 48"         | 0 to 200°F |
| BTLRN360101 | 60"         | 0 to 200°F |
| BTLRN372101 | 72"         | 0 to 200°F |

\*Dual scale units available by changing last digit to D. **Example:** BTLRN31210D

## ACCESSORIES

| Model   | Description     |
|---------|-----------------|
| BTLR-GH | Gripping handle |

## SPECIFICATIONS

**Wetted Materials:** 304 SS.

**Housing Materials:** Series 300 SS.

**Lens:** Glass.

**Accuracy:** ±1%.

**Temperature Limits:** Ambient: -40 to 392°F (-40 to 200°C).

**Dial Size:** 3".

**Process Connection:** 1/2" NPT.

**Resolution:** 2°F (1°C).

**Weight:** 1.0 lb (0.45 kg).