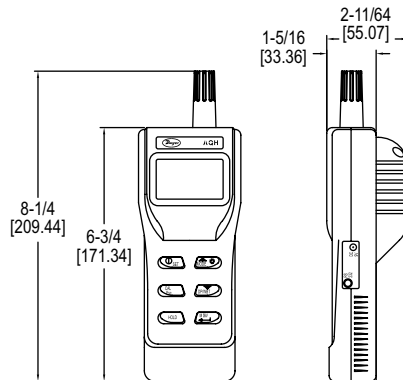


**Dwyer**

MODEL AQH-20

# HANDHELD INDOOR AIR QUALITY METER

Measures CO<sub>2</sub>, Temperature and Humidity

The **Model AQH-20 Handheld Indoor Air Quality Meter** reduces the number of instruments a contractor has to carry by measuring carbon dioxide concentration, air temperature, and humidity percentage in one device. A large backlit LCD shows all three parameters simultaneously. This product offers user selectable engineering units, maximum/minimum/average readings, a hold function, and an audible alarm.

## BENEFITS/FEATURES

- All-in-one unit for carbon dioxide, temperature, and humidity
- Large backlit LCD for visibility in dark areas
- User configurable alarms for audible indication of hazardous conditions

## APPLICATIONS

- Building commissioning
- Green house monitoring

## SPECIFICATIONS

**Ranges:** CO<sub>2</sub>: 0 to 2000 PPM; Temperature: 14 to 140°F (-10 to 60°C); Relative humidity: 0.0 to 99.9% RH.

**Accuracy:** CO<sub>2</sub>: ±30 PPM ±5% of reading; Temperature: ±0.9°F (±0.6°C); Humidity: ±3% RH (10 to 90%), ±5% (0.0 to 9.9% or 90 to 99.9%).

**Resolution:** CO<sub>2</sub>: 1 PPM; Temperature: 0.1°F (0.1°C); Humidity: 0.1% RH.

**Response Time:** CO<sub>2</sub>: < 30 s; Temperature: < 2 minutes; Humidity: < 10 minutes.

**Display:** 4 digits for temperature/CO<sub>2</sub> and 3 digits for humidity.

**CO<sub>2</sub> Sensor:** Non-dispersive infrared.

**Temperature Limits:** 32 to 122°F (0 to 50°C).

**Humidity Limits (Non-Condensing):** 0 to 95% RH.

**Power Requirements:** (4) 1.5 V AA alkaline batteries, included, user replaceable.

**Warm Up Time:** 30 s.

**Weight:** 6.76 oz (200 g).

## MODEL CHART

Model	CO <sub>2</sub> Range	Humidity Range	Temperature Range
AQH-20	0 to 2000 PPM	0.0 to 99.9%	14 to 140°F (-10 to 60°C)