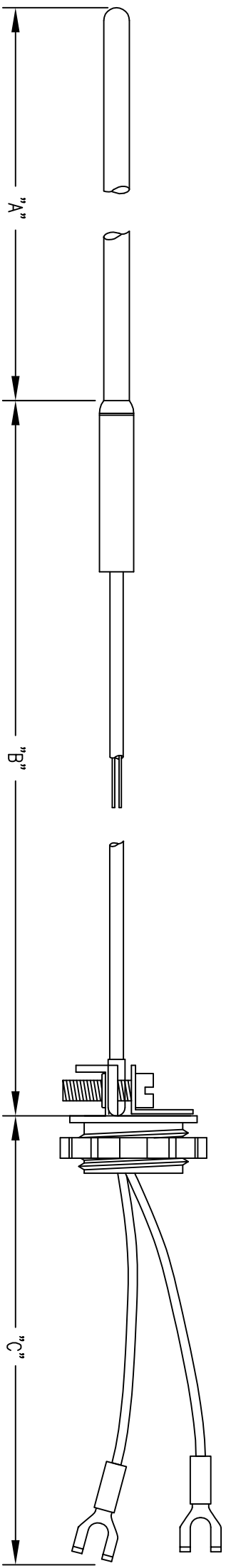
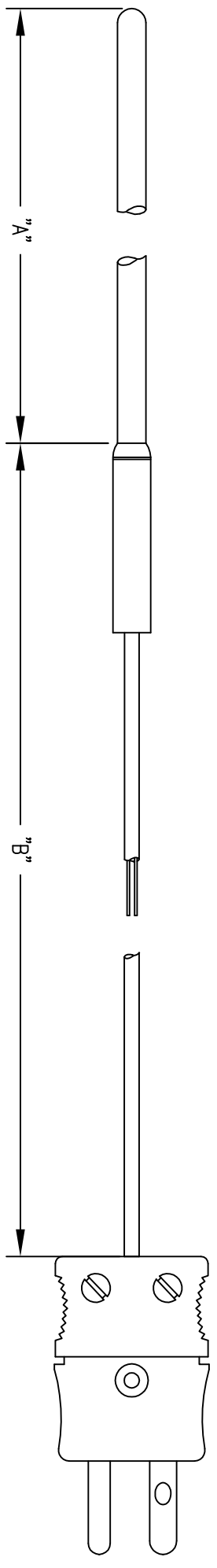


WITH LUG TERMINALS



WITH LUG TERMINALS AND BX CONNECTOR



WITH PLUG/JACK

SCALE 1:1

Ⓢ = CRITICAL DIMENSION
 STANDARD TOLERANCES UNLESS NOTED:
 ALL DECIMAL DIMENSIONS ± .005
 ALL ANGLES ± 1°

NO.		CHANGES		BY/DATE		DATE		NAME	
						DWN BY		8000 SERIES THERMOCOUPLE	
						CHKD			
				APPD					
								ACAD2002	
FR. NO.		3						MATERIAL	
Dwyer Instruments, Inc.		Michigan City, Indiana 46360 U.S.A.						FINISH	

NOTICE: This drawing and the principles and elements of design embodied therein are the exclusive property of DWYER INSTRUMENTS, INC. and are not to be communicated, disclosed, reproduced or used except as previously authorized in writing by such corporation and must not be submitted to outside parties for examination without the written consent of said corporation.