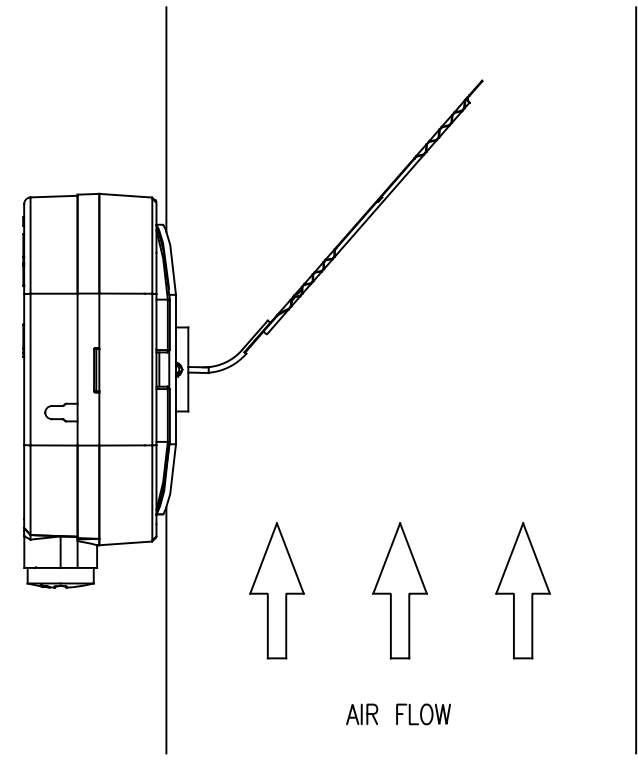
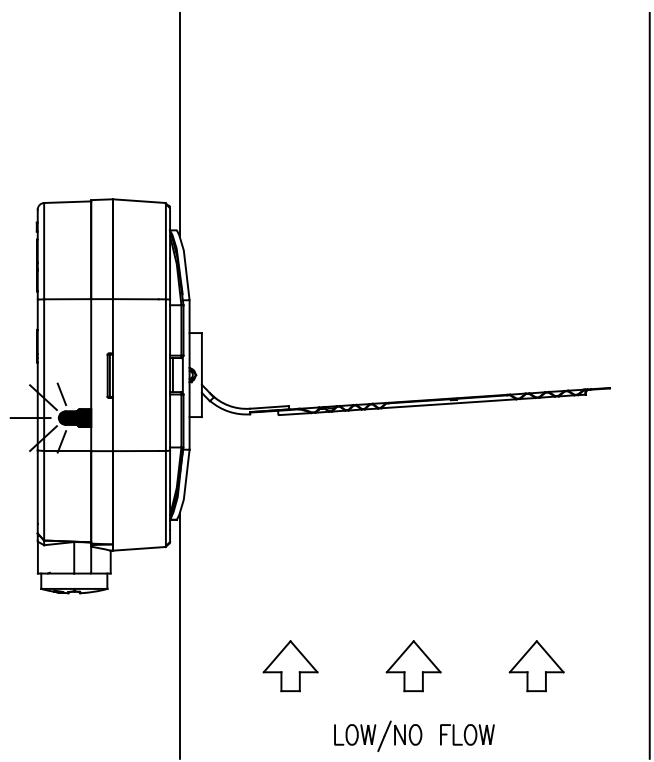


ALARM INDICATORS = OFF

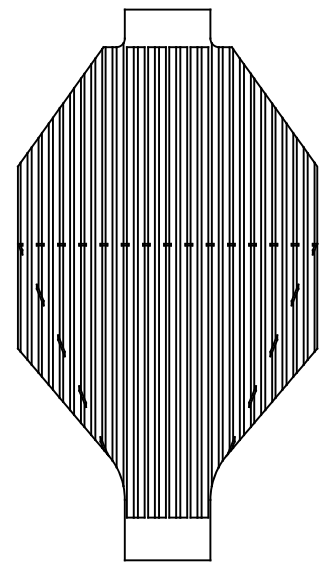


AIR FLOW

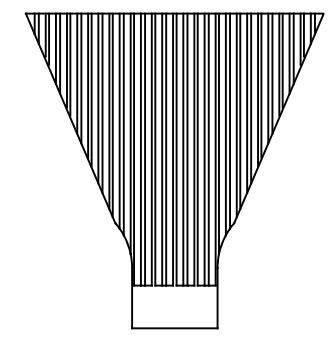
ALARM INDICATORS = ON



LOW/NO FLOW



4" PIPE INSTALLATION  
FACTORY VANE



3" PIPE INSTALLATION  
TRIM ALONG INDENTATIONS IN VANE

Ⓢ = CRITICAL DIMENSION  
STANDARD TOLERANCES UNLESS NOTED:  
ALL DECIMAL DIMENSIONS ± .005  
ALL ANGLES ± 1°

			DATE 3-24-15	NAME	MATERIAL
			DWN BY CM	ARTWORK SERIES RAFS MOUNTING POSITIONS  (FOR REFERENCE ONLY) ACAD2002	FINISH
			CHKD DGH		<b>DWYER INSTRUMENTS, INC.</b> MICHIGAN CITY, INDIANA 46360 U.S.A.
1	CORRECTED ARROW SIZE - ND-004497	JEO 6-6-17	APPD PK		
NO.	CHANGES	BY/DATE			

NOTICE: This drawing and the principles and elements of design embodied therein are the exclusive property of DWYER INSTRUMENTS, INC. and are not to be communicated, disclosed, reproduced or used except as previously authorized in writing by such corporation and must not be submitted to outside parties for examination without the written consent of said corporation.