

## inert gas filled thermometers, local mounting all stainless steel construction DS 4", 6" (100-150 mm)



PED 2014/68/UE ATEX 2014/34/UE TP TC 012/2011

These instruments are designed for use in chemical and petrochemical processing industries, and in conventional power plants. They are built to withstand the most severe operating conditions resulting from the ambient environment and the process medium. An TIG welded case, bulb and capillary strengthen the whole construction and ensure a tighter seal in the event the instrument is filled with dampening liquid protecting it from damage due to vibration.

### 6. TG8 - Standard Model

**Designation:** EN 13190.

**Indication ranges:** -320...+1200 °F (-200...+600 °C).

**Measuring ranges:** -280...+1100 °F (-170...+500 °C).

**Accuracy class:** 1 as per EN 13190, measuring range.

**Overtemperature limit:** 25% of full scale range for temperature  $\leq 750$  °F (400 °C); max 1100 °F (600 °C).

**Ambient temperature:** -4...+149 °F (-20...+65 °C).

**Max working pressure:** 360 psi - 25 bar (without thermowell).

**Protection degree:** IP 55 as per IEC 529.

**Process connection:** AISI 316 st.st.

**AISI 316 st.st. bulb:** with rigid extension  $\varnothing 0.31''$  (8 mm);

**S22** -  $\varnothing 0.31''$  (8 mm) = 5.63"...39,3" (143...1000 mm);

**S21** -  $\varnothing 0.38''$  (9,6 mm) = 4.41"...39,3" (112...1000 mm);

**S20** -  $\varnothing 0.45''$  (11,5 mm) = 3.35"...39,3" (85...1000 mm);

with flexible extension  $\varnothing 0.10''$  (2,5 mm):

**S12** -  $\varnothing 0.31''$  (8 mm) = 5.63"...393,7" (143...10000 mm);

**S11** -  $\varnothing 0.38''$  (9,6 mm) = 4.41"...393,7" (112...10000 mm);

**S10** -  $\varnothing 0.45''$  (11,5 mm) = 3.35"...393,7" (85...10000 mm);

**Measuring element:** inert gas filled expansion system.

**Case:** stainless steel.

**Ring:** stainless steel bayonet lock.

**Window:** tempered glass.

**Movement:** stainless steel.

**Internal compensation device:** by a bimetallic linkage.

**Dial:** aluminium, white with black markings.

**Pointer:** adjustable, aluminium, black.

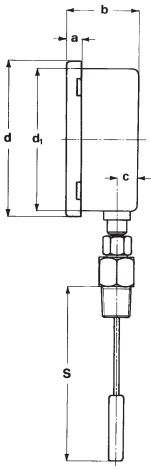
### OPTIONS

<b>2G2</b> - ATEX Ex II 2G h - Dry - T.a. -20...+60 °C	(1) (2)	<b>L22</b> - IP 65 maximum rating on window in plastic material	(2)
<b>2D2</b> - ATEX II 2GD h - Silicon Oil <b>R11</b> - T.a. -20...+60 °C	(1) (2)	<b>R10</b> - Case glycerine filling - IP65/67 - T.a. 0...+65 °C - T.p. max +160 °C	(2)
<b>2D0</b> - ATEX II 2GD h - Glycerine <b>R10</b> - T.a. 0...+60 °C	(1) (2)	<b>R11</b> - Case filling with silicon oil - IP65/67 - T.a. -20...+65 °C - T.p. max +250 °C	(2)
<b>2D5</b> - ATEX II 2GD h - Vented housing <b>ECV+E67</b> - T.a. -53...+60 °C	(1) (2)	<b>T01</b> - Tropicalization	
<b>2D6</b> - ATEX II 2GD h - Special silicon oil <b>S60</b> - T.a. -60...+60 °C	(1) (2)	<b>T32</b> - Safety glass window	(2)
<b>C40</b> - Case and ring AISI 316 st.st.		<b>ECV</b> - Vented housing version - IP65/67 - T.a. -53...+65 °C	(3)
<b>E67</b> - Protection degree IP65/65	(2)	<b>S60</b> - Special silicone oil filling - IP65/67 - T.a. -60...+65 °C	(2)

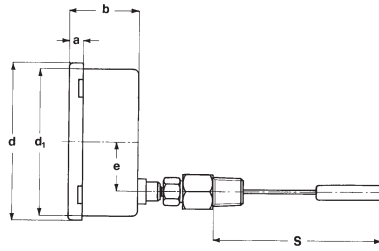
(1) See the ATEX temperature gauges data-sheet for technical details.

(2) Not available with electric contacts

(3) to be ordered with E67 option



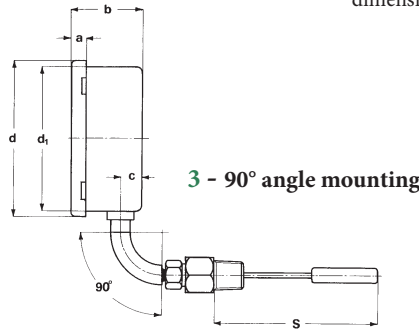
**1 - Bottom mounting**



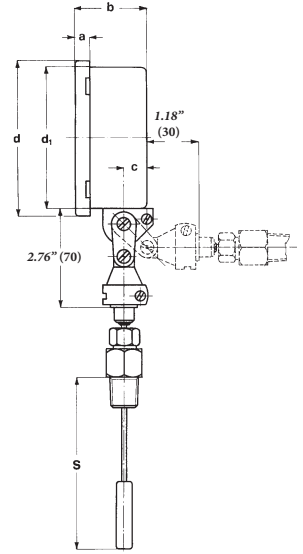
**4 - Back mounting**

	DS	a	b	c	d	d <sub>1</sub>
<b>E</b>	4" (100)	0.57" (14,5)	1.99" (50,5)	0.61" (15,5)	4.41" (112)	3.98" (101)
<b>G</b>	6" (150)	0.65" (16,5)	2.11" (53,5)	0.61" (15,5)	6.54" (166)	5.91" (150)

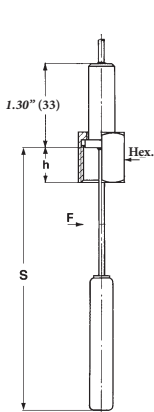
dimensions : inches (mm)



**3 - 90° angle mounting**

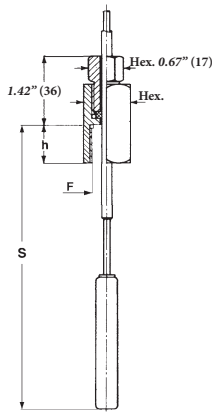


**9 - Every angle mounting**



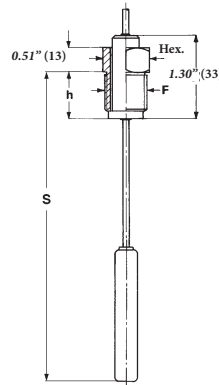
**8 - Female swivel nut.**

F	Hex.	h
<b>41F</b>	0.94"	0.63"
G 1/2 A	(24)	(16)
<b>51F</b>	1.18"	0.63"
G 3/4 A	(30)	(16)



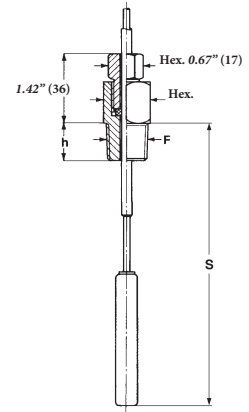
**7 - Sliding female swivel nut.**

F	Hex.	h
<b>43F</b>	0.94"	0.71"
1/2-14 NPT	(24)	(18)
<b>53F</b>	1.18"	0.71"
3/4-14 NPT	(30)	(18)



**5 - Male swivel nut.**

F	Hex.	h
<b>41M</b>	0.87"	0.55"
G 1/2 A	(22)	(14)
<b>51M</b>	1.06"	0.55"
G 3/4 A	(27)	(14)



**9 - Sliding male swivel nut.**

F	Hex.	h
<b>41M</b>	0.87"	0.55"
G 1/2 A	(22)	(14)
<b>43M</b>	0.87"	0.67"
1/2-14 NPT	(22)	(17)
<b>51M</b>	1.06"	0.63"
G 3/4 A	(27)	(16)
<b>53M</b>	1.06"	0.67"
3/4-14 NPT	(27)	(17)

dimensions : inches (mm)

**"HOW TO ORDER" SEQUENCE**

Section / Model / Mounting / Connection type / Diameter / Range / Process connection / Bulb / Options  
**6 TG8 1,3 5,7 E 41M, 43M S20...22 2G2...S60**  
**4,9 8,9 G 51M, 53M S10...12**

