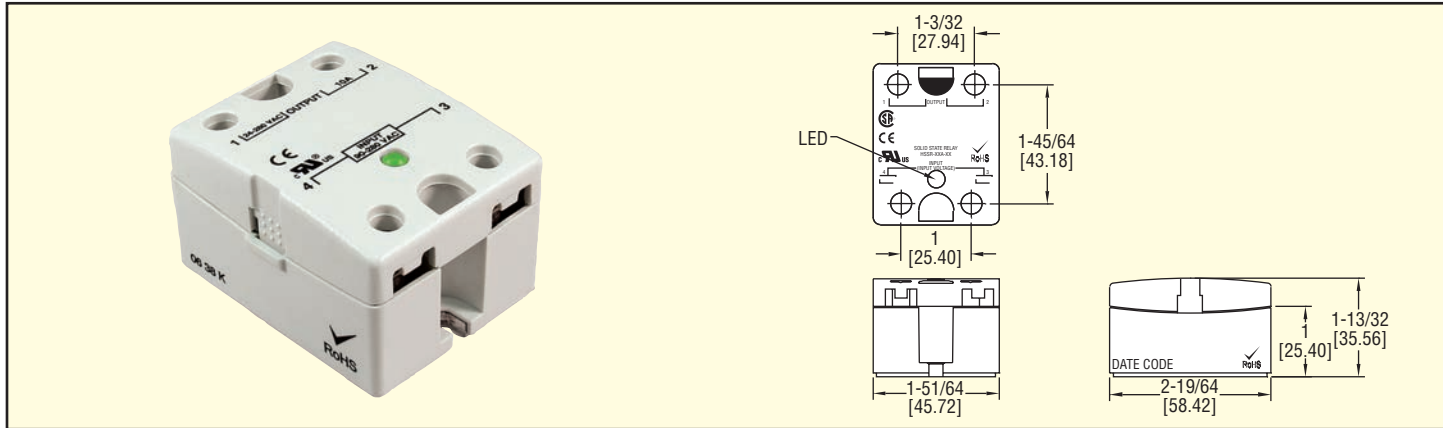




Series  
62

# Hockey Puck Solid State Relay

10 or 25 Amp, SPST-NO Operation



Series 62 Hockey Puck Style Solid State Relay features a terminal cover and LED status indicator. The optically coupled circuitry isolates the input terminals from the output terminals to give the relay 100% pure solid state performance.

## SPECIFICATIONS

### Operating and Load Voltage Range:

24 to 280 VAC.

**Electrical Connection:** Spade lug.

**Switching Operation:** SPST normally open.

**Switching Type:** Zero cross.

### Temperature Limits:

-40 to 176°F

(-40 to 80°C).

**Voltage Loss:** 1.6 VAC max.

**Output Leakage Current:** 10 mA max.

**Housing:** Polyamide 6.

**Weight:** 3.5 oz.

**Agency Approvals:** CE, RoHS, cUL, UR.

## FEATURES

- Hockey puck design
- Finger-safe cover
- LED status indicator
- Optically coupled circuitry

AC Operated		
Model	Input Voltage Range	Rated Current Load
6210AXXSZS-AC90	90 to 280 VAC	10 amp
6225AXXSZS-AC90	90 to 280 VAC	25 amp
DC Operated		
Model	Input Voltage Range	Rated Current Load
6210AXXSZS-DC3	3 to 32 VDC	10 amp
6225AXXSZS-DC3	3 to 32 VDC	25 amp