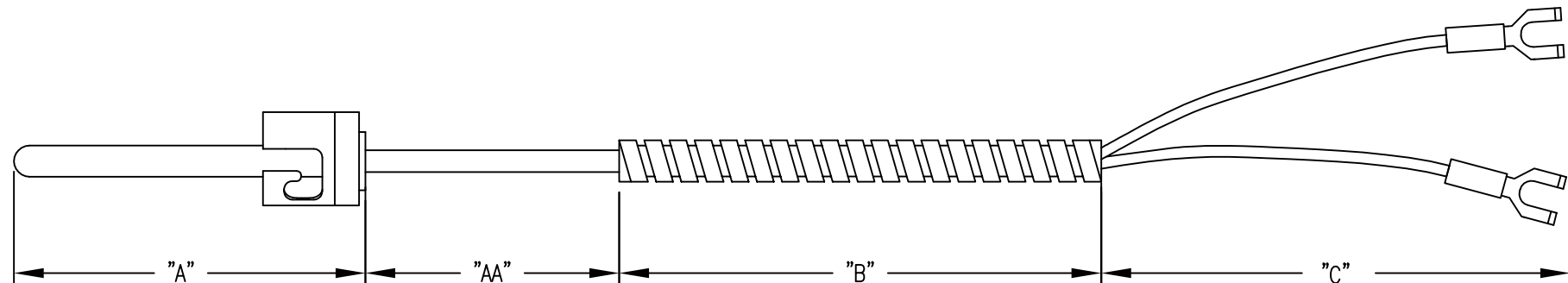
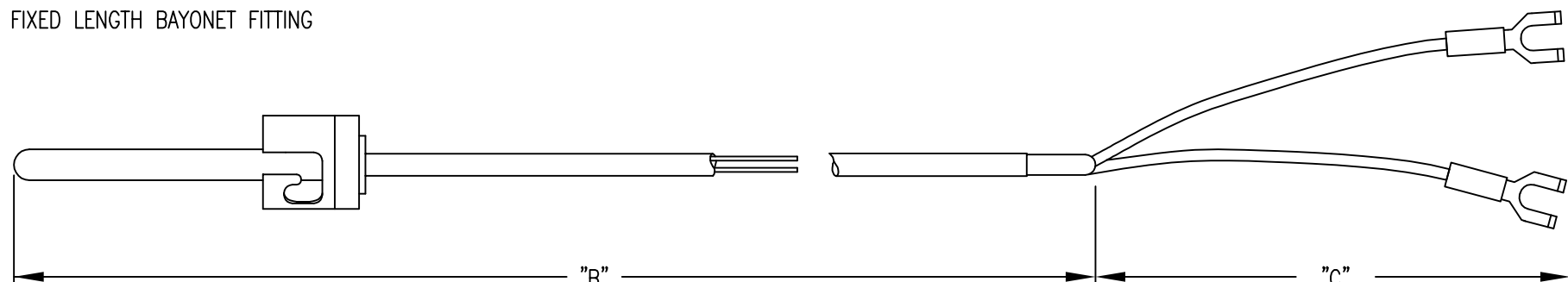


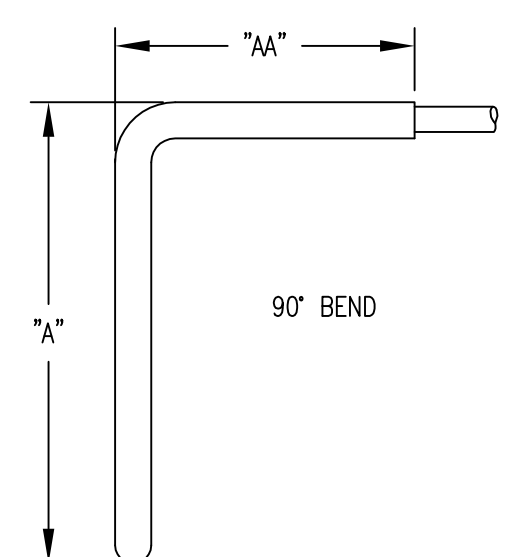
GENERAL PURPOSE WITH LUG TERMINALS AND BX CONNECTOR



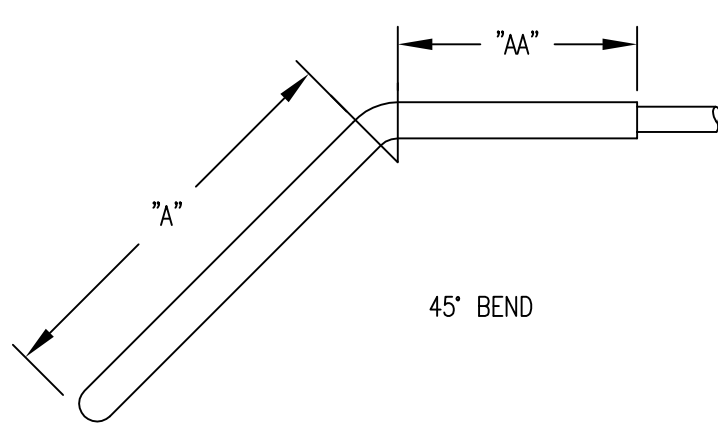
FIXED LENGTH BAYONET FITTING



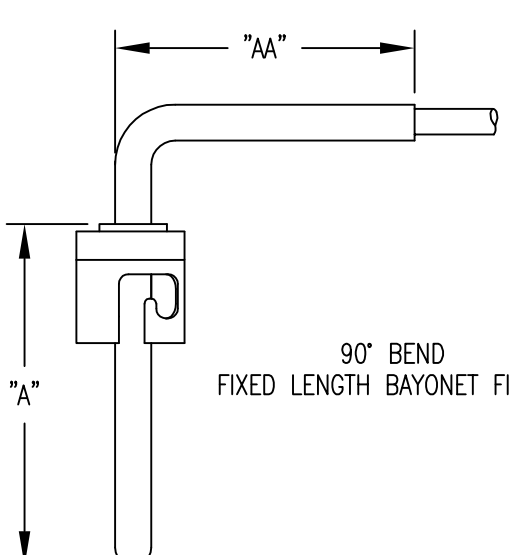
ADJUSTABLE LENGTH BAYONET FITTING



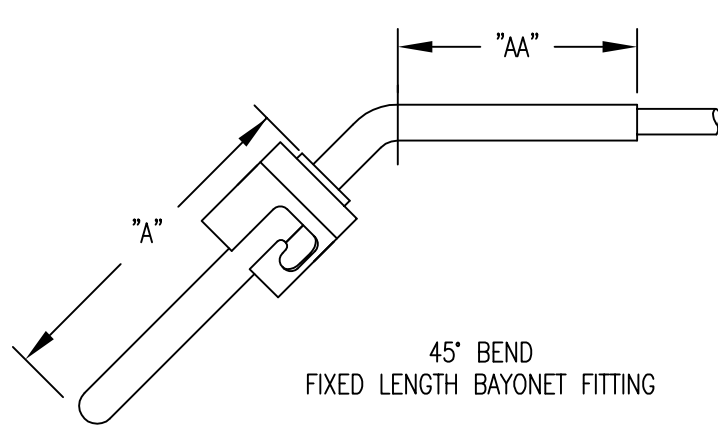
90° BEND



45° BEND



90° BEND
FIXED LENGTH BAYONET FITTING



45° BEND
FIXED LENGTH BAYONET FITTING

Ⓢ = CRITICAL DIMENSION
STANDARD TOLERANCES UNLESS NOTED:
ALL DECIMAL DIMENSIONS ± .005
ALL ANGLES ± 1°

SCALE 1:1

| | | |
|--------|---|---|
| DATE | NAME 5000 SERIES THERMOCOUPLE | MATERIAL |
| DWN BY | | FINISH |
| CHKD | | DWYER INSTRUMENTS, INC. MICHIGAN CITY, INDIANA 46360 U.S.A. |
| APPD | | |

ACAD2002

NOTICE: This drawing and the principles and elements of design embodied therein are the exclusive property of DWYER INSTRUMENTS, INC. and are not to be communicated, disclosed, reproduced or used except as previously authorized in writing by such corporation and must not be submitted to outside parties for examination without the written consent of said corporation.