

## diaphragm seal for DS 2.5" (63mm) pressure gauges, with threaded connection



Diaphragm seals are designed to isolate the sensing element of pressure gauges DS 63 and electronic transmitter from process fluids which may be corrosive, viscous, sedimentous and/or with a high temperature. The diaphragm is welded to the top housing and leak proof tested, to guarantee a separation between process fluid and fill transmission fluid. This construction feature and its compact design suits many application that require frequent maintenance.

### 4.367 - MGS9/367

**Working pressure :** *from 0...600 to 0...6000 psi (from 0...40 to 0...400 bar).*

**Process temperature:** *-49...+302°F (-45°C...+150°C).*

**Accuracy\*:** (add to instrument accuracy)  $\pm 1\%$  for direct mounting only.

**Diaphragm:** welded,

**4** - AISI 316 L st.st.

**Process connection:**

**4** - AISI 316 st.st.

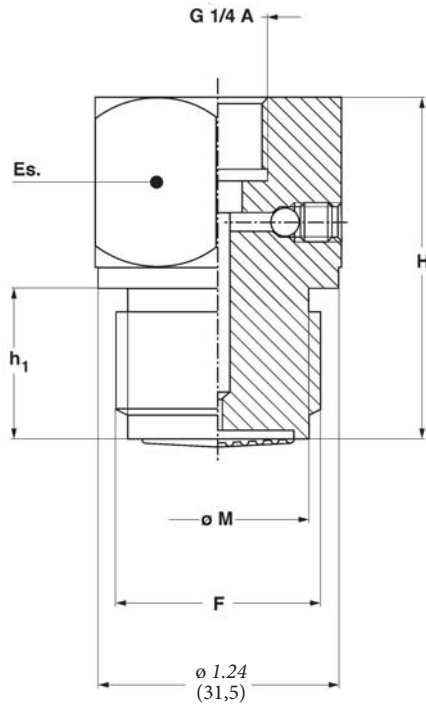
**Filling liquid:** silicone oil.

\* at 68°F (20 °C) process temperature (or state temperature when ordering)

# diaphragm seal for DS 2.5" (63mm) pressure gauges, with threaded connection

# MGS9/367

MS-08/14



F	M	h <sub>1</sub>	H	Es.
<b>51M</b>	0.92"	0.62"	1.43"	1.25"
<b>G 3/4 M</b>	(23,5)	(16)	(36,5)	(32)

dimensions : inches (mm)

## ASSEMBLING

**D** - All diaphragm seals are mounted directly on the instruments.

All diaphragm seals are mounted on the instruments and fixed by an aluminium protection label.

## FILLING FLUIDS and process fluid temperature

Fluid	Vacuum	Pressure	Fluid	Vacuum	Pressure
Standard silicon oil	-40...+122°F (-40...+100°C)	-40...+302°F (-40...+150°C)	<b>E</b> - Fluorinated liquid "E"	-40...+212°F (-40...+100°C)	-40...+302°F (-40...+150°C)
<b>B</b> - Silicon oil "B"	-40...+302°F (-40...+150°C)	-40...+482°F (-40...+250°C)	<b>F</b> - Silicon oil "C"	-130...+176°F (-90...+80°C)	-130...+302°F (-90...+150°C)
<b>C</b> - Silicon oil "C"	-14...+392°F (-10...+200°C)	-14...+662°F (-10...+350°C)	<b>G</b> - Mineral food oil "G"	-14...+302°F (-10...+150°C)	-14...+392°F (-10...+200°C)
<b>D</b> - Silicon oil "D"	-14...+392°F (-10...+200°C)	-14...+752°F (-10...+400°C)			

## OPTIONS

**C05** - Helium Test

**P04** - Dye penetrant test

## "HOW TO ORDER" SEQUENCE

Section/Model/Connection material/Diaphragm material/Process Connection/Instrument connection/Assembling/Options

**4 367 4 4 51M 21F - G 1/4 F D B...G C05, P04**