

pressure gauges with electric contacts all stainless steel construction DS 6" (150mm)



CE Compliance to requirements of
LVD 2014/35/EU - PED 2014/68/EU

EAC

These instruments are manufactured according to the safety rules as per standards UNI 8541, DIN 16006 e ANSI B40.1. They are used to control the electrical operation of compressors, pumps, presses, hydraulic and pneumatic equipments, chemical and petrochemical plant. If leakages occur or the sensing element is damaged, the operator is protected by a solid baffle wall placed on the instrument front and by the blow out wall located on the back. Contacts, which are adjustable over the whole range, open or close the circuit depending on the position of the pointer. They can be liquid-filled in case of application within severe working conditions, such as quick and frequent pressure changes, vibrations and pulsations. The dampening liquid reduces the effects of the above-mentioned factors drastically as well as those caused by a corrosive atmosphere, making the pressure gauge and the electric contacts perform better and last longer. They are available also with inductive intrinsically safe contacts .

1.M3.1 - Standard Model

Ranges: from 0...15 to 0...20000 psi (from 0...1 to 0...1600 bar or equivalent units).

Mechanical contact: sliding contact, magnetic snap-action, electronic, inductive.

Accuracy: $\pm 1,0\%$ as per EN 837-1 - DIN 16085 (1).

Ambient temperature: -13...+149 °F (-25...+65 °C).

Process fluid temperature: max +212 °F (+100 °C).

Working pressure: max 75% of the full scale value.

Over pressure: not suitable.

Protection: IP 55 as per EN 60529/IEC 529.

Socket material: AISI 316L st.st.

Elastic element: AISI 316L st.st.

Case: stainless steel.

Ring and blow out disk: stainless steel.

Window: plastic.

Movement: stainless steel.

Dial: aluminium, white with black markings.

Pointer: not adjustable, aluminium, black.

1.M3.3 - Filled Model, Lower connection only

Mechanical contact: magnetic snap-action.

Accuracy: $\pm 1,6\%$ as per EN 837-1 - DIN 16085 (1).

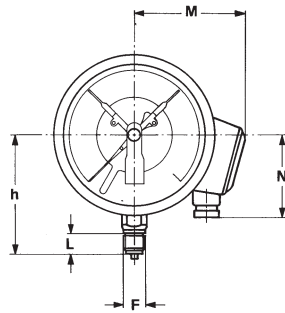
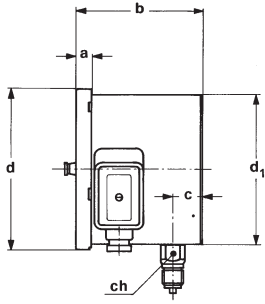
Process fluid temperature: max +149 °F (+65 °C).

Protection: IP 65 as per EN 60529/IEC 529.

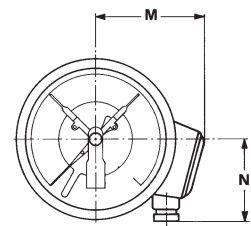
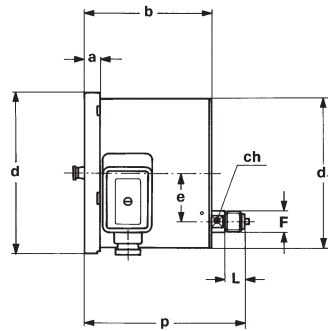
Filling liquids: silicone dielectric oil.

Other features: as Standard Model.

(1) Adding mechanical electric contacts may affect the accuracy of the instruments so that 1% becomes 1,5%, 1,6% becomes 2,4% etc. (add the 50% of accuracy; if the contact is a magnetically assisted type, this value cannot be added within the $\pm 5\%$ of setting point).



A - LOWER CONNECTION



D - BACK CONNECTION

Mounting	F	a	b	c	d	d ₁	e	h	p	M	N	L	ch	Weight (1)
Lower	41M G 1/2 A	0.59" (15)	5" (127)	1.18" (30)	6.34" (161)	5.89" (149,5)		4.65" (118)		4.33" (110)	3.27" (83)	0.78" (20)	0.94" (24)	3.19 lbs (1,45 kg)
Back							1.88" (47,8)	6,30" (160)	0.67" (17)				3.08 lbs (1,4 kg)	

dimensions : inches (mm)

(1) when filled, add 3.63 lbs (1,65 kg)

CONTACT TYPE (1)

MODEL	Standard		Filled	
	Contact type	Sliding contact		Magnetic snap-action contact
Contact number	1	2	1	2
Junction box	4 poles + GND		4 poles + GND	
ø exit cables: inches (mm)	0,35...0,55 (9...14)		0,35...0,55 (9...14)	
Minimum range	15 psi (1bar)		36 psi (2,5 bar)	

(1) Functional characteristics, electric diagrams and contact types are available on data-sheets :

“ELECTRIC CONTACTS”.

OPTIONS

C - Back flange, for lower connection pressure gauges
P02 - Oxygen service
E65 - Protection IP 65 as per IEC 529, for standard model

“HOW TO ORDER” SEQUENCE

Section / Model / Case / Mounting / Diameter / Range / Process connection / Electric contact / Options

1 M3 1 A G 41M 01S...M9D C
3 D P02, E65