

## bourdon tube pressure gauges anti-vibration version DS 2.5" (63mm)



PED 2014/68/EU

These instruments are built in compliance with the construction and safety S2 specifications of standard EN 837-1.

They are designed for use on power units, pump, hydro-cleaning machines, presses, engine compressors, turbines, diesel engines, refrigerating plants and on machines and equipment where pulsating pressures or mechanical vibrations are present. They can be used with gaseous or liquid media that are not-corrosive to copper alloy and which do not have low viscosity or do not cristalize.

### 1.10.2 - Fillable Model

**Design:** EN837-1.

**Safety designation:** S2 as per EN 837-1.

**Ranges:** from 0...15 to 0...10000 psi (from 0...1 to 0...600 bar or other equivalent units).

**Accuracy class:** 1,6 as per EN 837-1.

**Ambient temperature:** -13...+149°F (-25...+65 °C).

**Process fluid temperature:** +212°F (max +100 °C).

**Thermal drift:** max ±0,4 %/10 °C of ranges (starting from + 68 °F - 20 °C).

**Working pressure:**

75% of PSV for static pressure;

66% of PSV for pulsating pressure.

**Over pressure limit (15 min max):**

25% of PSV for pressure ranges ≤ 1500 psi (100 bar);

15% of PSV for pressure ranges over 1500 psi (100 bar).

**Protection degree:** IP 67 as per EN 60529/IEC 529.

**Socket material:** copper alloy.

**Bourdon tube:** copper alloy.

**Case:** stainless steel.

**Ring:** stainless steel, polished, crimped

**Window:** polycarbonate.

**Movement:** copper and stainless steel.

**Dial:** plastic, white with black markings

**Pointer:** not adjustable, aluminium, black

### 1.10.3 - Filled Model

**Damping liquid:** glycerine 98% or silicon oil.

**Ambient temperature:**

+32...+149 °F (0...+65 °C) with glycerine filling;

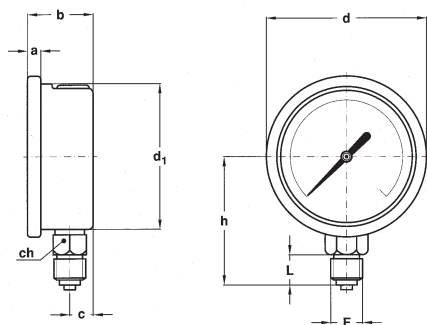
-40...+149 °F (-40...+65 °C) with silicon oil filling.

**Process fluid temperature:** max +149°F (+65 °C).

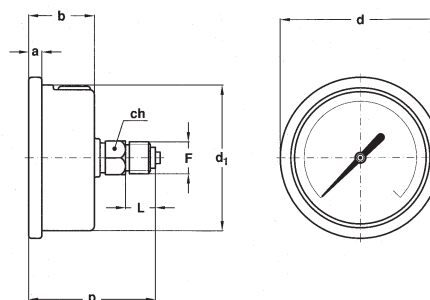
**Other features:** same as fillable model.

**bourdon tube pressure gauge**  
**anti-vibration version DS 2.5" (63mm)**

**MGS10**



**A - LOWER CONNECTION**



**D - BACK CONNECTION**

Mounting	F	a	b	c	d	d <sub>1</sub>	h	p	L	ch	Weight (1)
Lower	21M - G 1/4 A	0.22"	1.10"	0.39"	2.67"	2.46"	2.17" - 2.13"		0.51"	0.51" x 0.35"	0.28 lbs
	23M - 1/4-18 NPT	(5,6)	(28)	(10)	(68)	(62,6)	(55,3 - 54,3)		(13)	(14 x 9)	(0,13 kg)
Back	21M - G 1/4 A	0.22"	1.10"		2.67"	2.46"		1.81" - 2.11"	0.39"	0.51" x 0.35"	0.30 lbs
	23M - 1/4-18 NPT	(5,6)	(28)		(68)	(62,6)		(54,8 - 53,8)	(13)	(14 x 9)	(0,14 kg)

dimensions : inches (mm)

(1) add 0.15 lbs (0,07 kg) when filled

**OPTIONS**

Model	fillable	filled
<b>B</b> - "U"-clamp, for back connection pressure gauges	◆	◆
<b>C</b> - Back flange, for lower connection pressure gauges	◆	◆
<b>E</b> - Front flange, for back connection pressure gauges	◆	◆
<b>Q03</b> - Dial: aluminium (min. 100 pz)	◆	◆
<b>S06</b> - Restrictor plug $\varnothing 0.015$ " (0,4 mm).	◆	◆
<b>P01</b> - Suitable for filling with silicone	◆	
<b>S10</b> - Silicone filling		◆
<b>T37</b> - Tempered glass window	◆	◆

(1) Safety designation: S1 as per EN 837-1.

**"HOW TO ORDER" SEQUENCE**

Section / Model /Case / Mounting / Diameter / Range / Process connection / Options

**1**    **10**    **2**    **A**        **C**                    **21M**        **B, C, E**  
                         **3**    **D**                    **23M**        **Q03...T37**

RC6 - 03/14

IN ORDER TO IMPROVE THEIR PRODUCTION, MESSRS. NUOVA FIMA RESERVE THE RIGHT TO THEMSELVES TO MAKE ALL THE MODIFICATIONS THAT THEY DEEM INDISPENSABLE AT ANY TIME. UPDATED DATA-SHEETS ARE AVAILABLE ON SITE: [www.nuovafima.com](http://www.nuovafima.com)

