

bourdon tube pressure gauges anti-vibration version DS 2" (50mm)



PED 2014/68/EU

These instruments are designed for use on power station units, pumps, hydro-cleaning machines, presses, engine compressors, turbines, diesel engines, chemical, petrochemical and refrigerating plants and on machines and equipment where pulsating pressures or mechanical vibrations are apparent. They can be used with gaseous or liquid media which do not corrode copper alloy and which do not have high viscosity or do not cristalize.

1.10.2 - Fillable Model

Design: EN 837-1.

Ranges: from 0...30 to 0...6000 *psi* (from 0...2,5 to 0...400 bar)

Accuracy class: 1,6 as per EN 837-1.

Ambient temperature: -13...+149°F (-25...+65 °C).

Process fluid temperature: +248°F (max +120 °C).

Thermal drift: max ±0,4 %/10 °C of ranges (starting from +68°F - 20°C).

Working overpressure:

75% of FSV for static pressure;

66% of FSV for pulsating pressure;

Overpressure (max 15 min):

25% of FSV of ranges ≤ 1450 *psi* (100 bar);

15% of FSV for ranges over 1450 *psi* (100 bar).

Protection degree: IP 65 as per IEC 529.

Socket material: copper alloy.

Bourdon tube: copper alloy.

Case: stainless steel.

Window: plastic.

Movement: copper alloy.

Dial: aluminium, white with black markings.

Pointer: not adjustable, aluminium, black

1.10.3 - Filled Model

Damping liquid: glycerine 98%.

Ambient temperature: +32...+149°F (0...+65 °C).

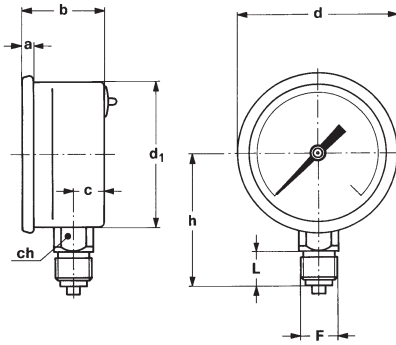
Process fluid temperature: +149°F (max +65 °C).

Other features: as fillable model.

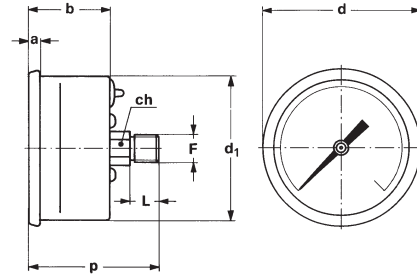
bourdon tube pressure gauges
anti-vibration version, DS 2" (50mm)

MGS10

RC6 - 08/14



A - LOWER CONNECTION



D - BACK CONNECTION

Mounting	F	a	b	c	d	d ₁	h	p	L	ch	Weight (1)
Lower	21M - G 1/4 A	0.15"	1.14"	0.43"	2.20"	2.00"	1.87" - 1.94"		0.51" - 0.59"	0.55"	0.22 lbs
	23M - 1/4-18 NPT	(4)	(29)	(11)	(56)	(51)	(47,5 - 49,5)		(13 - 15)	(14)	(0,1 kg)
Back	11M - G 1/8 A	0.15"	1.14"		2.20"	2.00"		1.81"	0.39"	0.47"	0.18 lbs
	13M - 1/8-27 NPT	(4)	(29)		(56)	(51)		(46)	(10)	(12)	(0,085 kg)

dimensions : inches (mm)

(1) add 0.09 lbs (0,045 kg) when filled

OPTIONS

Model	fillable	filled
B - Clamp and ring for back connection pressure gauges	◆	◆

"HOW TO ORDER" SEQUENCE

Section / Model /Case / Mounting / Diameter / Range / Process connection / Options

1 **10** **2** **A** **B** **11M** **B**
3 **D** **13M**
21M
23M

